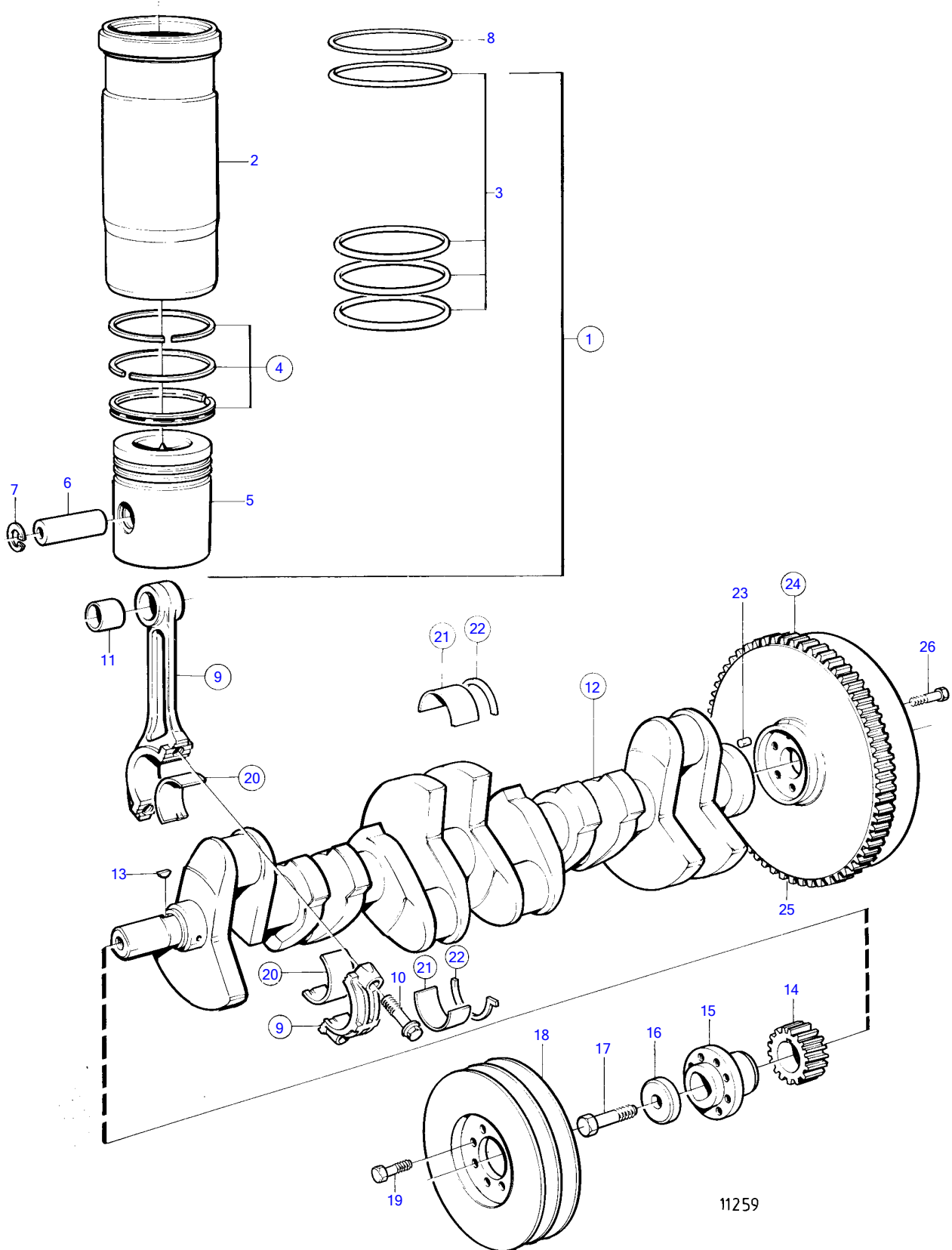


TAMD71B



TAMD71B

REF	PART NO.	QTY	DESCRIPTION	SEE SEC.	NOTES
1	876240	6	Cylinder liner kit		SN-XXXXXXXXXX/97292
	3827379	6	Cylinder liner kit		SNXXXXXXXXXX/97293-
2		6	• Cylinder liner		
3	271159	6	• Sealing ring kit		
4	876241	6	• Piston ring kit		
5		6	• Piston		
6	3978588	6	• Piston pin		(477927)
7	914525	12	• Snap ring		
8	466878	X	Adjusting washer		Shims to adjust the cylinder liner level., SN-XXXXXXXXXX/97292, TH=0,20mm
	466114	X	Adjusting washer		Shims to adjust the cylinder liner level., SN-XXXXXXXXXX/97292, TH=0,30mm
	466184	X	Adjusting washer		Shims to adjust the cylinder liner level., SN-XXXXXXXXXX/97292, TH=0,50mm
	3978758	X	Shim		Shims to adjust the cylinder liner level., SNXXXXXXXXXX/97293-, TH=0,12mm
	3978759	X	Shim		Shims to adjust the cylinder liner level., SNXXXXXXXXXX/97293-, TH=0,20mm
	3978760	X	Shim		Shims to adjust the cylinder liner level., SNXXXXXXXXXX/97293-, TH=0,30mm
	3978761	X	Shim		Shims to adjust the cylinder liner level., SNXXXXXXXXXX/97293-, TH=0,50mm
9	864936	6	Connecting rod		Classified
10	465815	12	• Screw		
11	471364	6	• Bushing		
12	477116	1	Crankshaft, 6-hole		SN-XXXXXXXXXX/78961
	477870	1	Crankshaft, 9-hole		SNXXXXXXXXXX/78962-97292
	3137693	1	Crankshaft		Consists of crank shaft with gear 471528, key 422253, pin 950677., SNXXXXXXXXXX/97293-
13	422253	1	• Woodruff key		
14	471528	1	Gear		Included in crank shaft 3137693.
			• Bulletin 45-01	45-01-EN	Timing Gears, 71, 100, 121
15	465779	1	Hub		
16	420124	1	Washer		
17	470366	1	Screw		
18	865243	1	Vibration damper		
19	421796	8	Screw		
20	270115	6	Big-end bearing kit		Std D
	270116	6	Big-end bearing kit		U.S=0,25mm
	270117	6	Big-end bearing kit		U.S=0,51mm
	(270118)	6	Big-end bearing kit		U.S=0,76mm, Obsolete part
	270119	6	Big-end bearing kit		U.S=1,01mm
	(270120)	6	Big-end bearing kit		U.S=1,27mm, Obsolete part
21	270432	7	Main bearing kit		SN-XXXXXXXXXX/97292, Std D
	270433	7	Main bearing kit		SN-XXXXXXXXXX/97292, U.S=0,25mm
	270434	7	Main bearing kit		SN-XXXXXXXXXX/97292, U.S=0,51mm
	(270435)	7	Main bearing kit		SN-XXXXXXXXXX/97292, U.S=0,76mm, Obsolete part
	270436	7	Main bearing kit		SN-XXXXXXXXXX/97292, U.S=1,01mm
	(270437)	7	Main bearing kit		SN-XXXXXXXXXX/97292, U.S=1,27mm, Obsolete part
	276894	7	Main bearing kit		SNXXXXXXXXXX/97293-, Std D
	276895	7	Main bearing kit		SNXXXXXXXXXX/97293-, U.S=0,25mm
	276896	7	Main bearing kit		SNXXXXXXXXXX/97293-, U.S=0,51mm
	(276897)	7	Main bearing kit		SNXXXXXXXXXX/97293-, U.S=0,76mm, Obsolete part
	276898	7	Main bearing kit		SNXXXXXXXXXX/97293-, U.S=1,01mm
	(276899)	7	Main bearing kit		SNXXXXXXXXXX/97293-, U.S=1,27mm, Obsolete part
22	276754	1	Thrust washer kit		SN-XXXXXXXXXX/97292, Std D
	276755	1	Thrust washer kit		SN-XXXXXXXXXX/97292, O.S=0,10mm
	276756	1	Thrust washer kit		SN-XXXXXXXXXX/97292, O.S=0,20mm
	276757	1	Thrust washer kit		SN-XXXXXXXXXX/97292, O.S=0,30mm
	276890	1	Thrust washer kit		SNXXXXXXXXXX/97293-, Std D
	276891	1	Thrust washer kit		SNXXXXXXXXXX/97293-, O.S=0,10mm
	276892	1	Thrust washer kit		SNXXXXXXXXXX/97293-, O.S=0,20mm
	276893	1	Thrust washer kit		SNXXXXXXXXXX/97293-, O.S=0,30mm
23	950677	1	Pin		Included in crank shaft 3137693.

7740910-21-3489

11259

Upd:2011-09-22

TAMD71B

REF	PART NO.	QTY	DESCRIPTION	SEE SEC.	NOTES
24	848350	1	Flywheel, 6-hole		SN-XXXXXXXXXX/78960
	3827177	1	Flywheel, 9-hole		With hole for alfa sensor., SNXXXXXXXXXX/78961- (3825864)
25	420314	1	• Ring gear		(420067)
26	465826	6	Screw		
	465826	9	Screw		