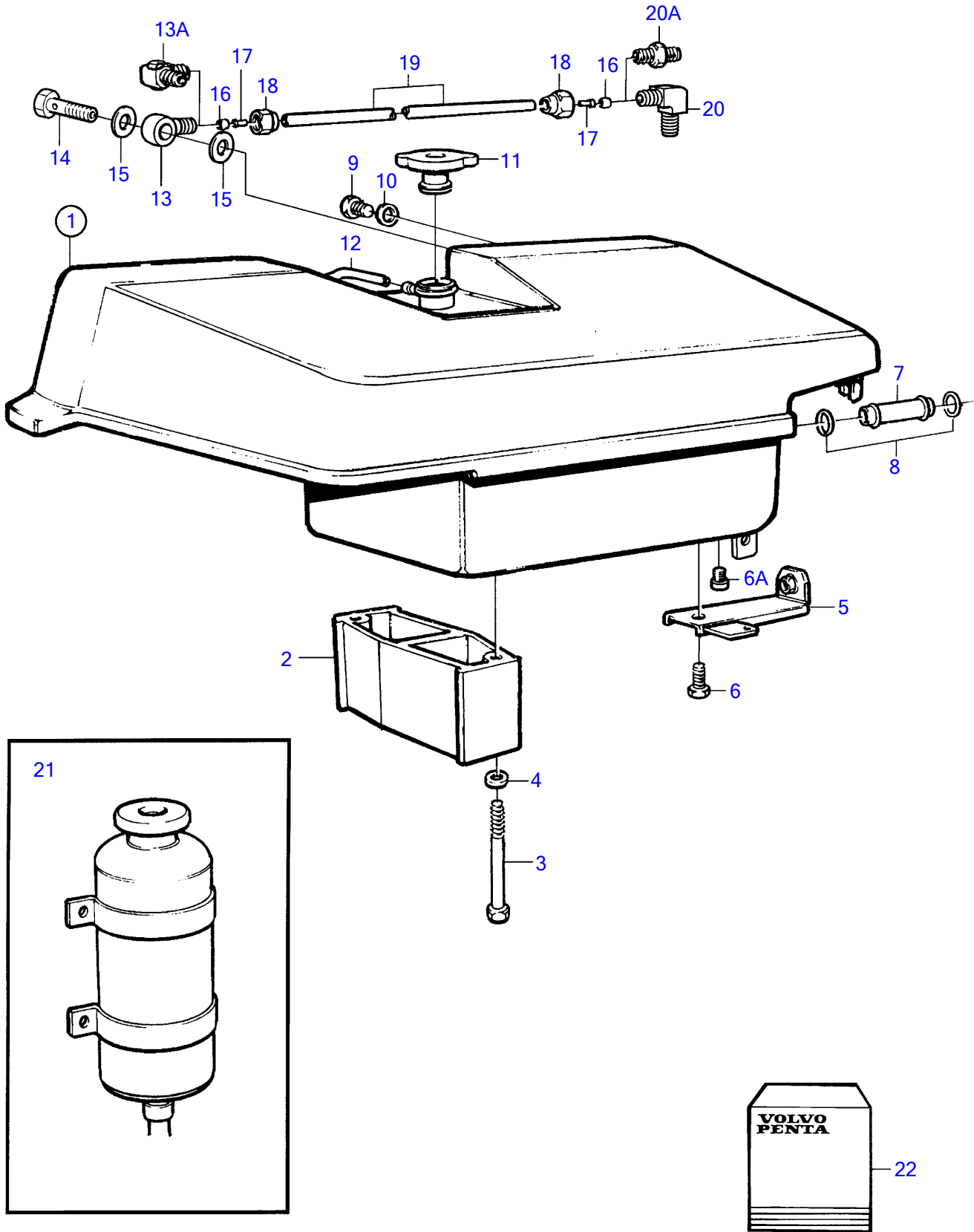


TAMD71B



## TAMD71B

REF	PART NO.	QTY	DESCRIPTION	SEE SEC.	NOTES
1	848809	1	Expansion tank		Replaced by 1 ea expansion tank 3825381, 1 ea conversion kit 876679 for electric box and 1 ea plug 479956 to be mounted under the expansion tank., SN-1030027/XXXXX
			.	530	
	864289	1	Expansion tank		Replaced by 1 ea expansion tank 3825381, 1 ea conversion kit 876679 for electric box and 1 ea plug 479956 to be mounted under the expansion tank., Green SN1030028/XXXXX-
	3825381	1	Expansion tank		Black SNXXXXXXXXXXXX/78543-
2	848516	2	Spacer plate		
3	965217	4	Flange screw		
4	941907	4	Spring washer		
5	864414	1	Bracket		For electric box 864500., Early type SN1030028/XXXXX-
6	967949	2	Flange screw		For electric box 864500., Early type SN1030028/XXXXX-
6A	479956	1	Plug		Late type SNXXXXXXXXXXXX/78543-
6					
7	848519	1	Pipe		
8	471626	2	Sealing ring		
9	966142	1	Plug		Install in the lower hole., Early type
	861551	1	Plug		Install in the upper hole., Later prod (192134)
10	957175	1	Gasket		For 966142
11	845879	1	Pressure cap		Filler cap, extra expansion tank see group 90.
12	192618	X	Hose		L=800mm
13	945417	1	Banjo nipple		Late type
13A	479958	1	Elbow nipple		Install in the upper hole., Early type (329638)
14	969299	1	Hollow screw		Install in the lower hole., Late type
15	11994	2	Gasket		Install in the lower hole., Late type
16	954364	2	Sleeve		
17	944717	2	Support sleeve		
18	954356	2	Fitting nut		
19	945460	X	Tube		Expansion tank-thermostat housing., L=125mm
20	954385	1	Elbow nipple		Install in the upper hole.
20A	954378	1	Nipple		Early type
21		1	Expansion tank	532	
22	876679	1	Conversion kit		See group 30