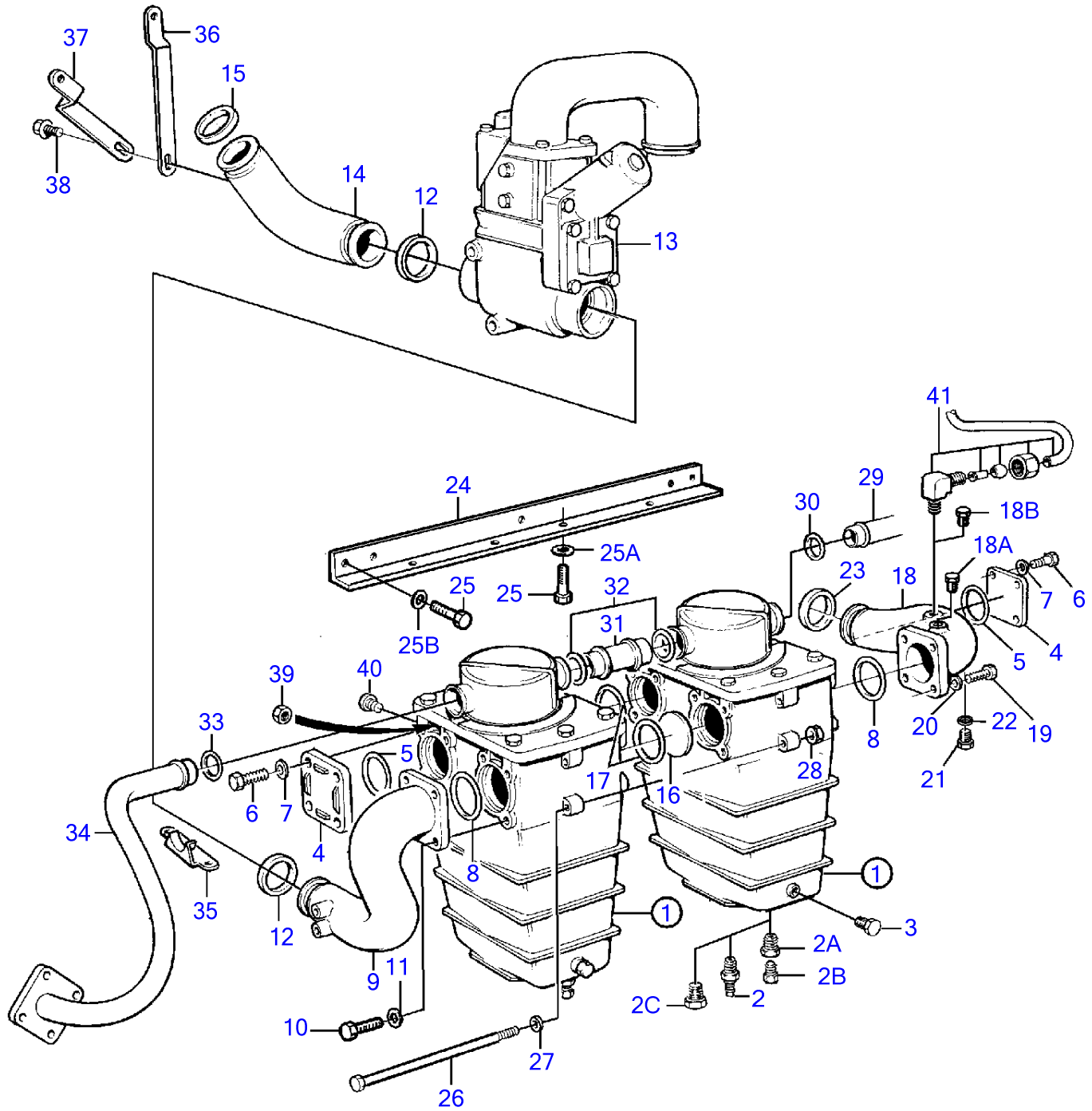


TAMD71B



## TAMD71B

REF	PART NO.	QTY	DESCRIPTION	SEE SEC.	NOTES
1	847580	2	Heat exchanger, standard		Replaced by 864916
			.		
			.	706	
	864916	2	Heat exchanger, classifiable		As a spare part a classified heat exchanger is obtained., Repl by 3828469
			.		
			.	706	
	3828469	2	Heat exchanger, classifiable		
			.		
			.	706	
2		2	Drain cock		Replaced by plug 3825335.
2A	332262	2	Reduction nipple		Replaced by plug 3825335.
2B	861551	2	Plug		Replaced by plug 3825335.
2C	3825335	2	Plug		Late type
3	981749	2	Plug		(479979)
4	847619	2	Cardboard tube		
5	949805	2	O-ring		
6	946440	8	Flange screw		
7	941907	8	Spring washer		
8	949805	2	O-ring		
9	(848617)	1	Connection pipe		Throttle housing-after cooling., Obsolete part
10	955296	4	Hexagon screw		
11	941907	4	Spring washer		
12	864723	2	Sealing ring		
13		1	Starter element, by-pass valve		
			.		
			.	2327	
14	847820	1	Connection pipe		Turbo-throttle housing.
15	864722	1	Sealing ring		
16	847618	1	Cardboard tube		
17	947663	2	O-ring		
18	3825376	1	Connection pipe		After cooler-inlet manifold., (847770)
18A	981749	1	Plug		(479979)
18B	981749	1	Plug		Alt, (479979)
19	955296	4	Hexagon screw		After cooler-inlet manifold.
20	941907	4	Spring washer		
21	960632	1	Plug		
22	947624	1	Gasket		
23	469508	1	O-ring		
24	848100	1	Bracket		
25	946173	5	Flange screw		M8x20mm
	955296	4	Hexagon screw		M8x22mm
25A	941907	4	Spring washer		
25B	955894	5	Washer		
26	968303	4	Hexagon screw		
27	941907	4	Spring washer		
28	946036	4	Lock nut		
29	3827942	1	Coolant pipe		After cooler-heat exchanger., (864970)
30	466739	1	O-ring		
31	3827941	1	Coolant pipe		(864969)
32	466739	2	O-ring		
33	466739	1	O-ring		
34	864972	1	Coolant pipe		
35	864918	1	Retainer		
36	849606	1	Bracket		Early type
37	864479	1	Bracket		Late type
38	945358	1	Flange screw		Early type, L=10mm
	945414	1	Flange screw		Late type, L=14mm
39	946036	4	Lock nut		
40	945444	4	Flange screw		
41		1	Connector, smoke limiter	3579	

7740910-26-3565

17068

Upd:2011-09-22

TAMD71B, TAMD73P-A, TAMD73WJ-A

**VOLVO**  
**PENTA**