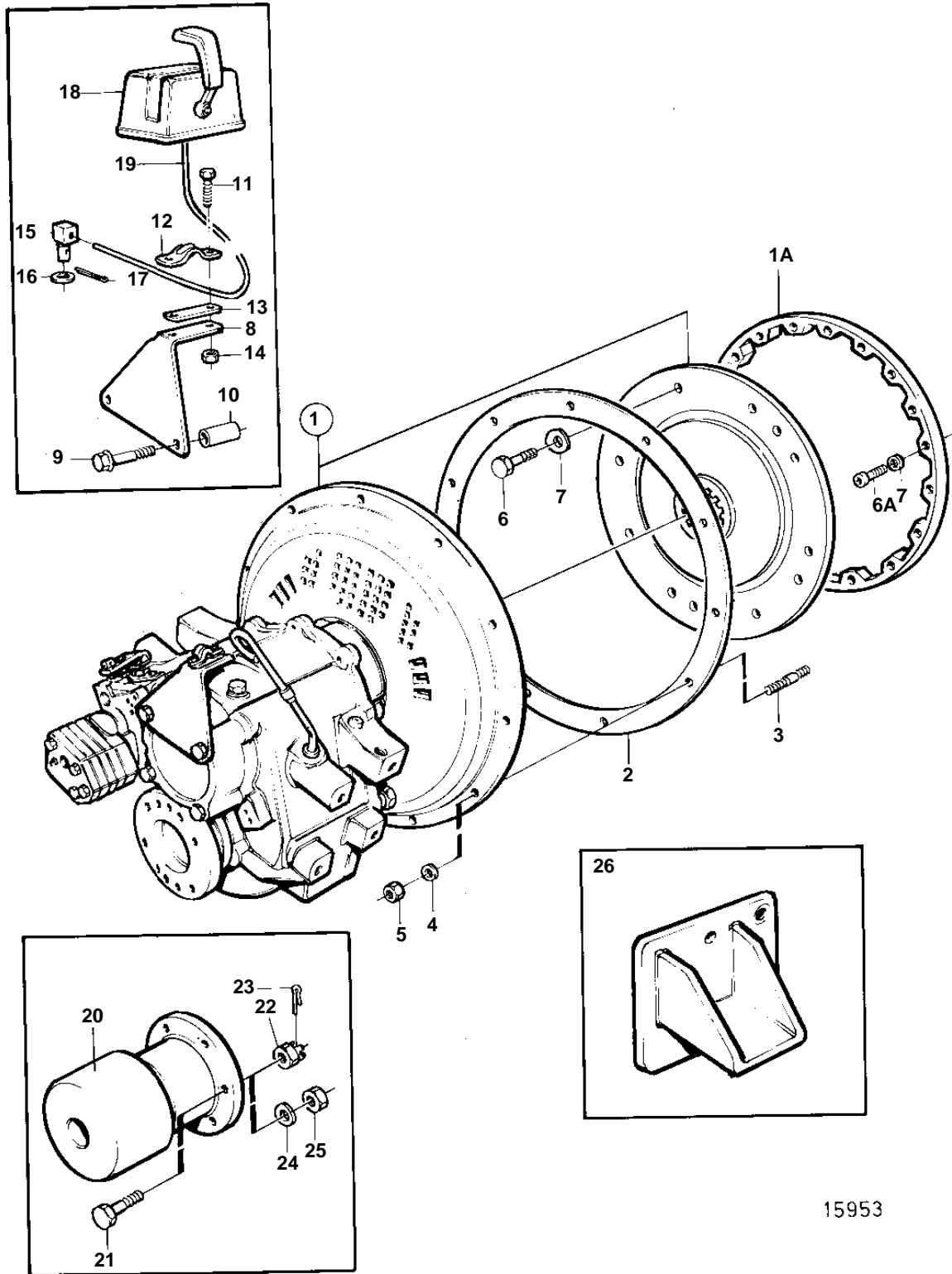


TAMD71A



15953

TAMD71A

REF	PART NO.	QTY	DESCRIPTION	NOTES
1		1	Reversing gear Comps. not spec.	RATIO -3.01:1
1A		1	Drive ring Comps. not spec.	EARLY TYPE
2	862623	1	Gasket	
3	953486	12	Stud	
4	942336	12	Spring washer	
5	955827	12	Nut	
6	956582	8	Screw	
6A	940114	8	Screw	(956588)
7	942336	8	Spring washer	(942598)
8	864242	1	Bracket	
9	955570	2	Screw	L=89mm
10	830672	2	Spacer sleeve	LATE TYPE
11	956079	2	Screw	
12	819067	1	Brace	For control cable 333, 33c.
	6853782	1	Clamp	For control cable 443, 43c.
13	819068	1	Washer	
14	963104	2	Nut	
15	853217	1	Cube	
16	940191	1	Washer	
17	17276	1	Cotter pin	
18		X	Control	SEE GROUP 27
19		X	Control cable	SEE GROUP 27
20	842106	1	Clutch flange	
21	955738	6	Screw	EARLY TYPE, L=57mm
	955739	6	Screw	LATE TYPE, L = 64mm
22	955886	6	Nut	EARLY TYPE
23	907861	6	Cotter pin	EARLY TYPE
24	941912	6	Spring washer	LATE TYPE
25	950378	6	Nut	LATE TYPE
26		2	Engine suspension	SEE GROUP 21