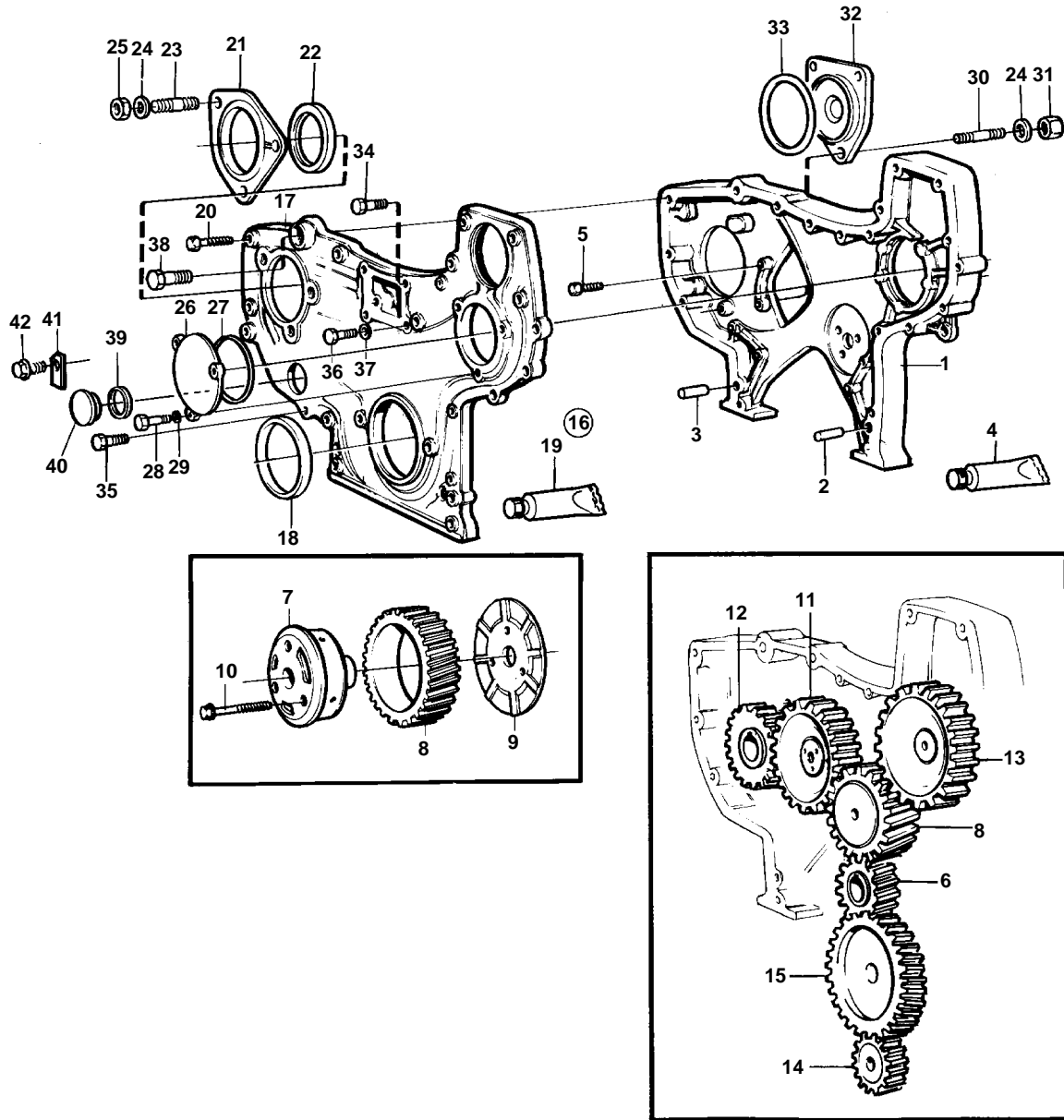


TAMD72A



15326

## TAMD72A

REF	PART NO.	QTY	DESCRIPTION	SEE SEC.	NOTES
1	471505	1	Timing gear casing		
2	941511	1	Pin		
3	941510	1	Pin		
4	1161231	X	Sealant		
5	471534	2	Screw		L=28mm
	471535	2	Screw	OP	L=58mm
6	471528	1	Gear		
			Bulletin 45-01	45-01-EN	Timing Gears, 71, 100, 121
7	422766	1	Spindle		
8	8192518	1	Gear		
9	478951	1	Thrust washer		
10	471554	3	Screw		
11		1	Gearcamshaft	327	
12	820637	1	Gear, sea water pump		
13	478429	1	Gear, fuel inj. pump		NITRO
14	471941	1	Gear		
15	471942	1	Gear		
16		1	Cover		
17	848421	1	· Cover		
18	477118	1	· Sealing ring		
19	1161231	X	Sealant		
20	965182	7	Flange screw		L=80mm
	965216	1	Screw		L=55mm
	948217	2	Flange screw		L=45mm
	947760	7	Flange screw		L=40mm
22	925257	1	O-ring		
23	967951	3	Stud		
24	941911	6	Spring washer		
25	971073	3	Nut		
26	471559	1	Cover		
27	925257	1	O-ring		
28	945444	3	Flange screw		
29	941907	3	Spring washer		
30	967951	3	Stud		
31	971073	3	Nut		
32	420178	1	Cover		
33	975610	1	O-ring		
34	100338	2	Screw		L=95mm
35	965220	1	Flange screw		L=45mm
36	946471	2	Screw		L=16mm
37	947281	2	Gasket		
38	965227	1	Screw		L=55mm
39	421629	1	Sealing ring		
40	848319	1	Plug		
41	848318	1	Anchorage		
42	946440	1	Flange screw		L=16mm
		1	Tachometer sensor		SEE GROUP 30