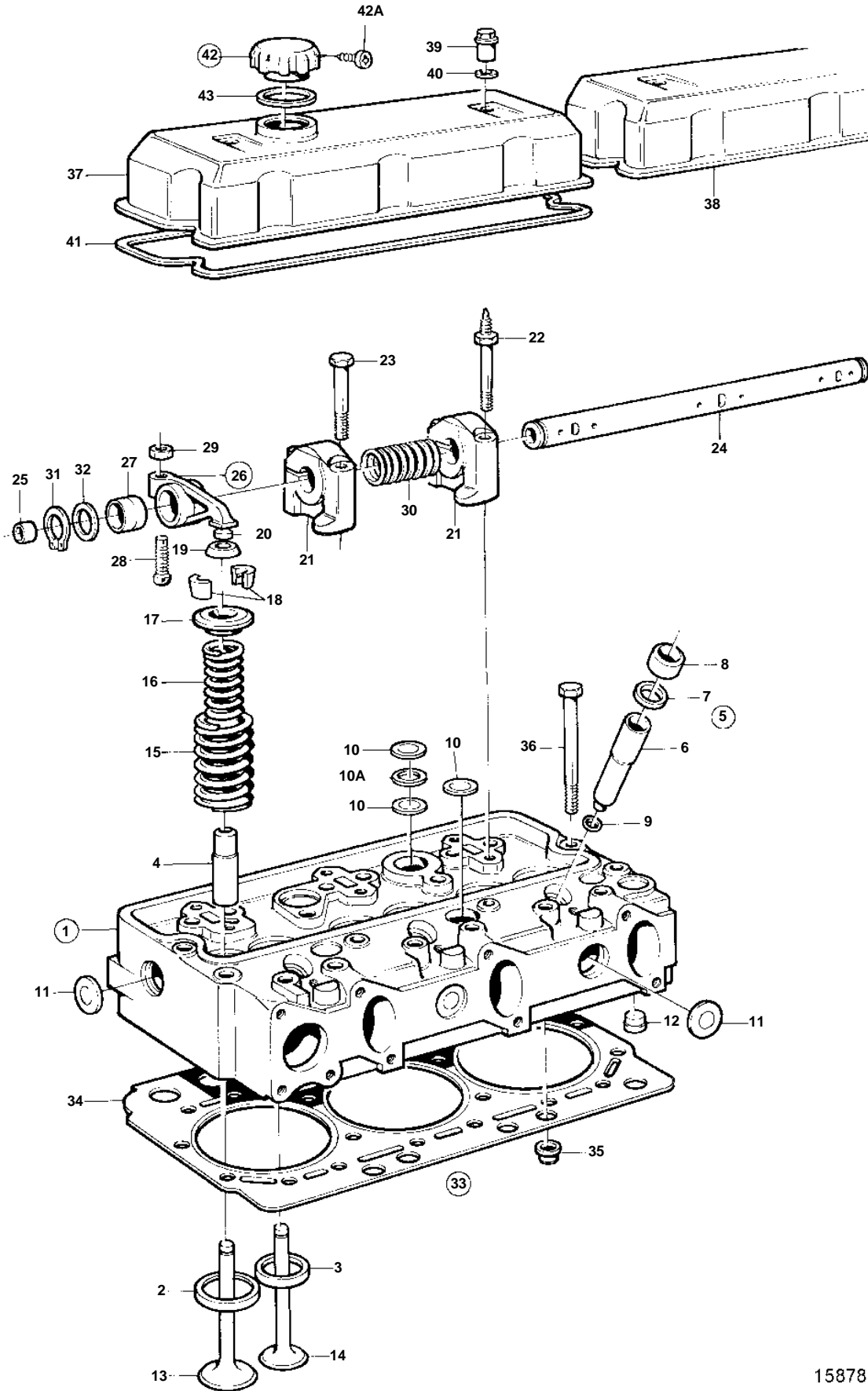


TAMD71A



15878

## TAMD71A

REF	PART NO.	QTY	DESCRIPTION	NOTES
1	471409	2	Cylinder head	
	3803311	2	Cylinder head, exch	Exchange unit
2	421011	6	· Valve seat, intake	STD D
	421316	6	· Valve seat, intake	O.S=0,20mm
3	466266	6	· Valve seat, exhaust	STD D
	466307	6	· Valve seat, exhaust	O.S=0,20mm
4	466386	12	· Valve guide	
5	276130	6	· Copper sleeve kit, fuel injector	
6	477928	6	· · Spray sleeve	
7	466405	6	· · Rubber ring	
8	466420	6	· · Steel ring	
9	466922	6	· · O-ring	
10	477026	14	· Expansion plug	D=26mm
10A	947626	4	· Gasket	
11	477024	8	· Expansion plug	D=35mm. Included in overhaul kit.
12	465420	10	· Nozzle	
13	864917	6	Inlet valve	
14	842080	6	Exhaust valve	
15	466384	12	Valve spring	
16	466383	12	Spring	
17	466382	12	Washer	
18	468305	24	Valve collet	
19	469456	12	Protecting ring	
20	478074	12	Valve cap	
21	477384	6	Bearing bracket	
22	471512	4	Stud	
23	471513	8	Screw	
24	471518	2	Rocker arm shaft	
25	946778	4	· Cap plug	
26	422063	12	Rocker arm	
27	422066	12	· Bushing	
28	422993	12	· Ball stud	
29	940175	12	· Nut	
30	421173	4	Spring	
31	914459	4	Lock ring	
32	941488	4	Washer	
33	276816	2	Gasket kit	
34		2	· Gasket	
35	465784	12	· Sealing ring	I.D=26mm
	466421	16	· Sealing ring	I.D=16mm
	422413	2	· Sealing ring	I.D=11mm
36	471481	40	Screw	
37	471813	1	Valve cover	
38	471426	1	Valve cover	
39	465961	4	Nut	
40	471856	4	Sealing ring	
41	471520	2	Gasket	
42	421753	1	Oil filler cap	
42A	955126	3	· Screw	
43	940096	1	Gasket	