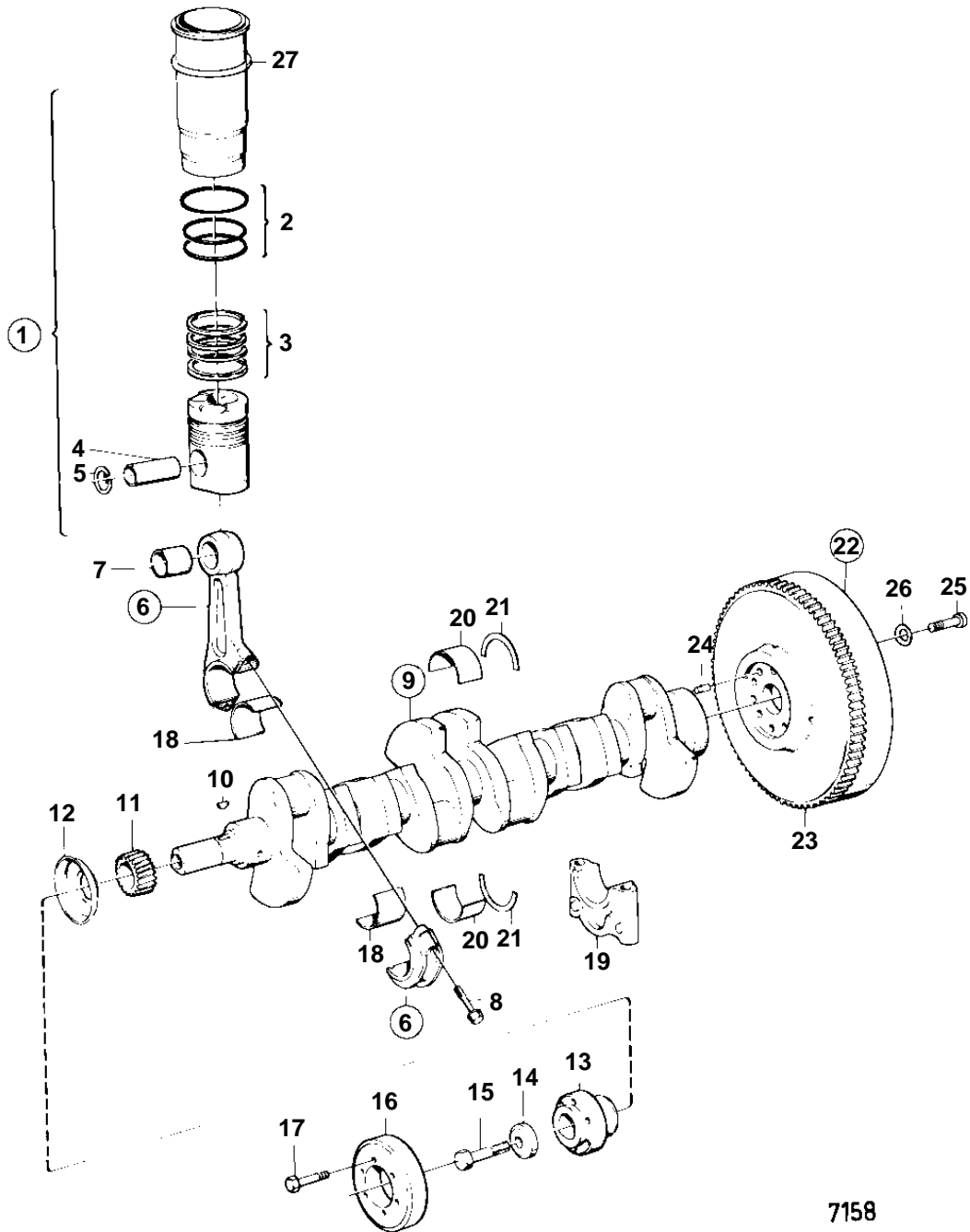


TAMD70D,AQD70D



7158

TAMD70D,AQD70D

REF	PART NO.	QTY	DESCRIPTION	SEE SEC.	NOTES
1	875677	6	Cylinder liner kit		
2	275735	6	· Sealing ring kit		
3	275375	6	· Piston ring kit		
4	421033	6	· Piston pin		STD D
	421300	6	· Piston pin		0,05MM O.S
	421302	6	· Piston pin		0,20MM O.S
5	914525	12	· Lock ring		
6	843678	6	Connecting rod		
7	471364	6	· Bushing		
8	420126	12	· Screw		
9	847998	1	Crankshaft		
10	422253	1	· Woodruff key		
11	421080	1	Crankshaft gear	02A-1150	
12	420172	1	Oil deflector	02A-1150	
13	836304	1	Hub		
14	420124	1	Washer		
15	417464	1	Screw		
16	844675	1	Vibration damper		
17	955548	8	Screw		
18	270115	6	Big end bearing kit		STD D
	270116	6	Big end bearing kit		0,25MM U.S
	270117	6	Big end bearing kit		0,50MM U.S
	270118	6	Big end bearing kit		0,75MM U.S
	270119	6	Big end bearing kit		1,00MM U.S
	270120	6	Big end bearing kit		1,25MM U.S
19		7	BEARING CAP	02A-0400	
20	270432	7	Main bearing kit		STD D
	270433	7	Main bearing kit		0,25MM U.S
	270434	7	Main bearing kit		0,50MM U.S
	270435	7	Main bearing kit		0,75MM U.S
	270436	7	Main bearing kit		1,00MM U.S
	270437	7	Main bearing kit		1,25MM U.S
21	276754	1	Thrust washer kit		STD D
	276755	1	Thrust washer kit		0,1MM O.S
	276756	1	Thrust washer kit		0,2MM O.S
	276757	1	Thrust washer kit		0,3MM O.S
22	848350	1	Flywheel		
23	420067	1	· Gear ring		
24	950677	1	Pin		
25	944710	6	Screw		
26	467773	6	Washer		
27	466114	X	Adjusting washer		TH = 0.2 MM
	466183	X	Adjusting washer		TH = 0.3 MM
	466184	X	Adjusting washer		TH = 0.5 MM