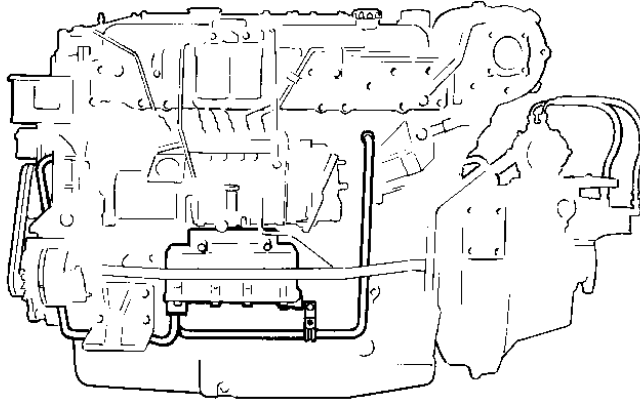
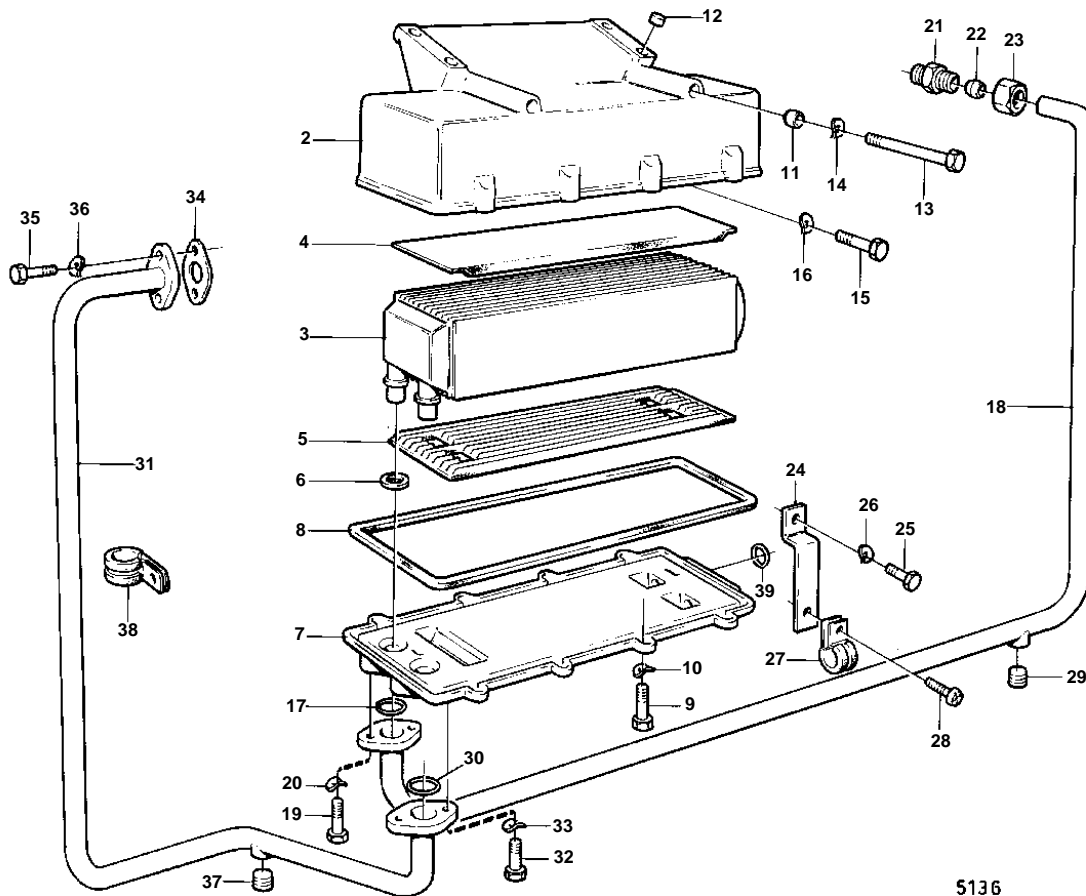


TAMD70D,AQD70D,TAMD70E



1



5136

TAMD70D,AQD70D,TAMD70E

REF	PART NO.	QTY	DESCRIPTION	SEE SEC.	NOTES
1	466644	1	Oil cooler		
2	466645	1	• Housing		
3	466519	1	• Insert		
4	466674	1	• Seal		
5	466675	1	• Seal		
6	466521	2	• Sealing ring		
7	466647	1	• Cover		
8	471465	1	• Sealing ring		
9	940159	8	• Screw		
10	955894	1	• Washer		
11	423161	2	Guide sleeve		
12	417588	1	Guide sleeve		SEE GROUP 2C
13	959811	2	Screw		
14	955898	2	Washer		
15	940115	2	Screw		
16	942336	2	Spring washer		
17	944988	1	O-ring		
18	843936	1	Tube		
19	955525	2	Screw		
20	941907	2	Spring washer		
21	943192	1	Nipple		
22	956972	1	Ferrule		
23	956986	1	Nut		
24	466804	1	Bracket		
25	940133	1	Screw		
26	942336	1	Spring washer		
27	952630	1	Clamp		
28	950045	1	Screw		
29	180759	1	Plug		
30	944988	1	O-ring		
31	843937	1	Tube		
32	955525	2	Screw		
33	941907	2	Spring washer		
34	420171	1	Gasket, GASKET		TAMD70D, AQD70D
				02B-1300	
					TAMD70E
				02B-1360	
35	955524	2	Screw		
36	941907	2	Spring washer		
37	180759	1	Plug		
38	942810	1	Clamp		
39	943177	4	O-ring		SEE GROUP 2A