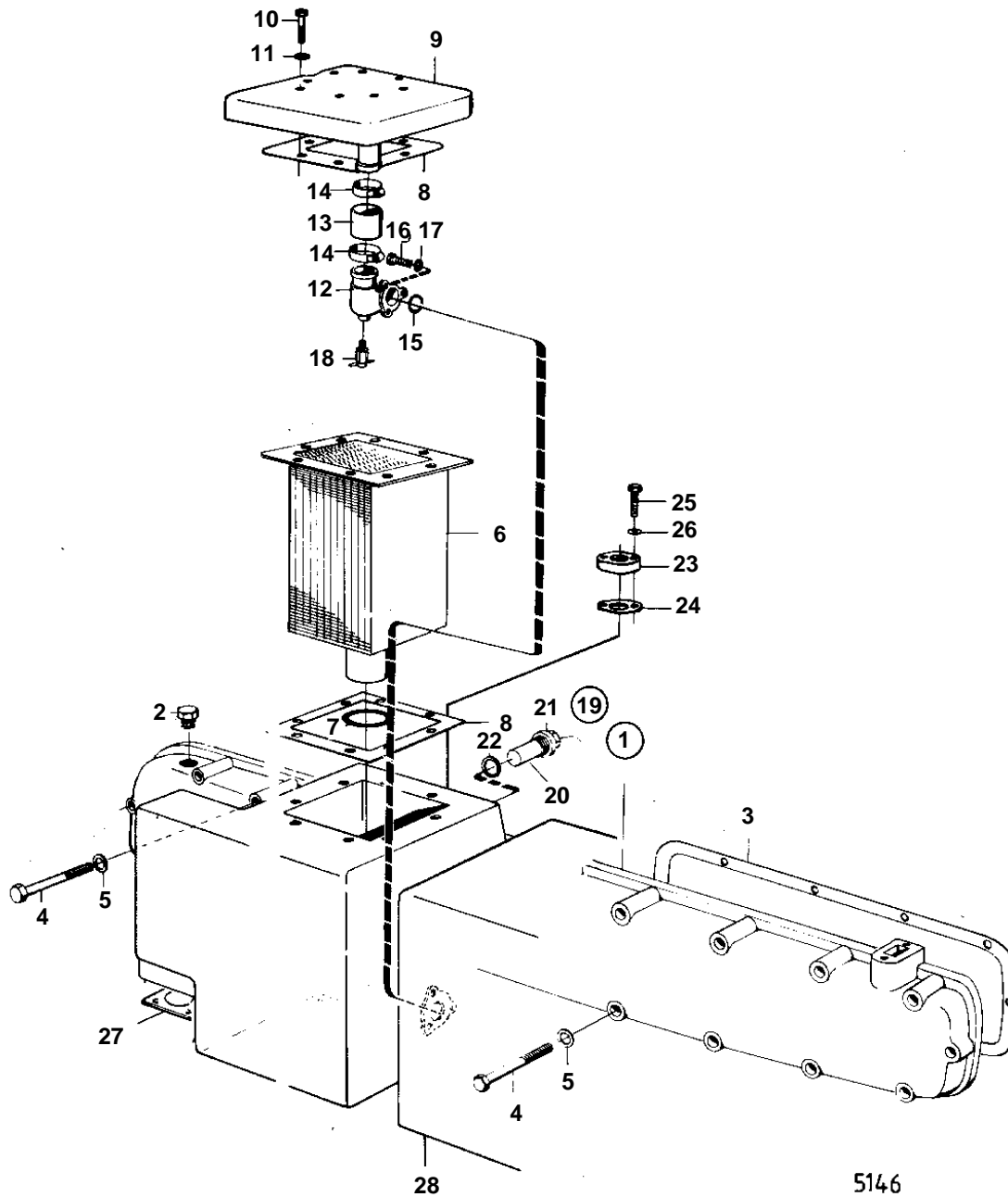


TAMD70D,AQD70D



5146

# INDUCTION MANIFOLD AND AFTER COOLER WITH INSTALLATION COMPONENTS

# 02B

TAMD70D,AQD70D

REF	PART NO.	QTY	DESCRIPTION	SEE SEC.	NOTES
1	837250	1	Inlet pipe		
2	191026	1	· Plug		
3	421071	2	Gasket	IK	
4	955530	2	Screw		L = 83 MM
	940136	14	Screw		L = 64 MM
	955525	2	Screw		L = 25 MM
5	941907	18	Spring washer		
6	824140	1	Insert		
7	925064	1	O-ring		
8	824301	2	Gasket		
9	837027	1	Cover		
10	955527	8	Screw		
11	941907	8	Spring washer		
12	837025	1	Connector		
13	858471	X	Hose		L = 110 MM
14	943477	2	Hose clamp		
15	925091	1	O-ring		
16	955525	3	Screw		
17	941907	3	Spring washer		
18	82745	1	Tap		
19	823661	1	Zinc electrode		
20	823661	1	· Zinc electrode		
21	823662	1	· Plug		
22	836169	1	Gasket		
23	837308	1	Flange		SEE GROUP 3
24	837309	1	Gasket		
25	940100	2	Screw		
26	941906	2	Spring washer		
27	824310	1	Gasket	02B-1550	
28		1	HEAT EXCHANGER	02B-0500	