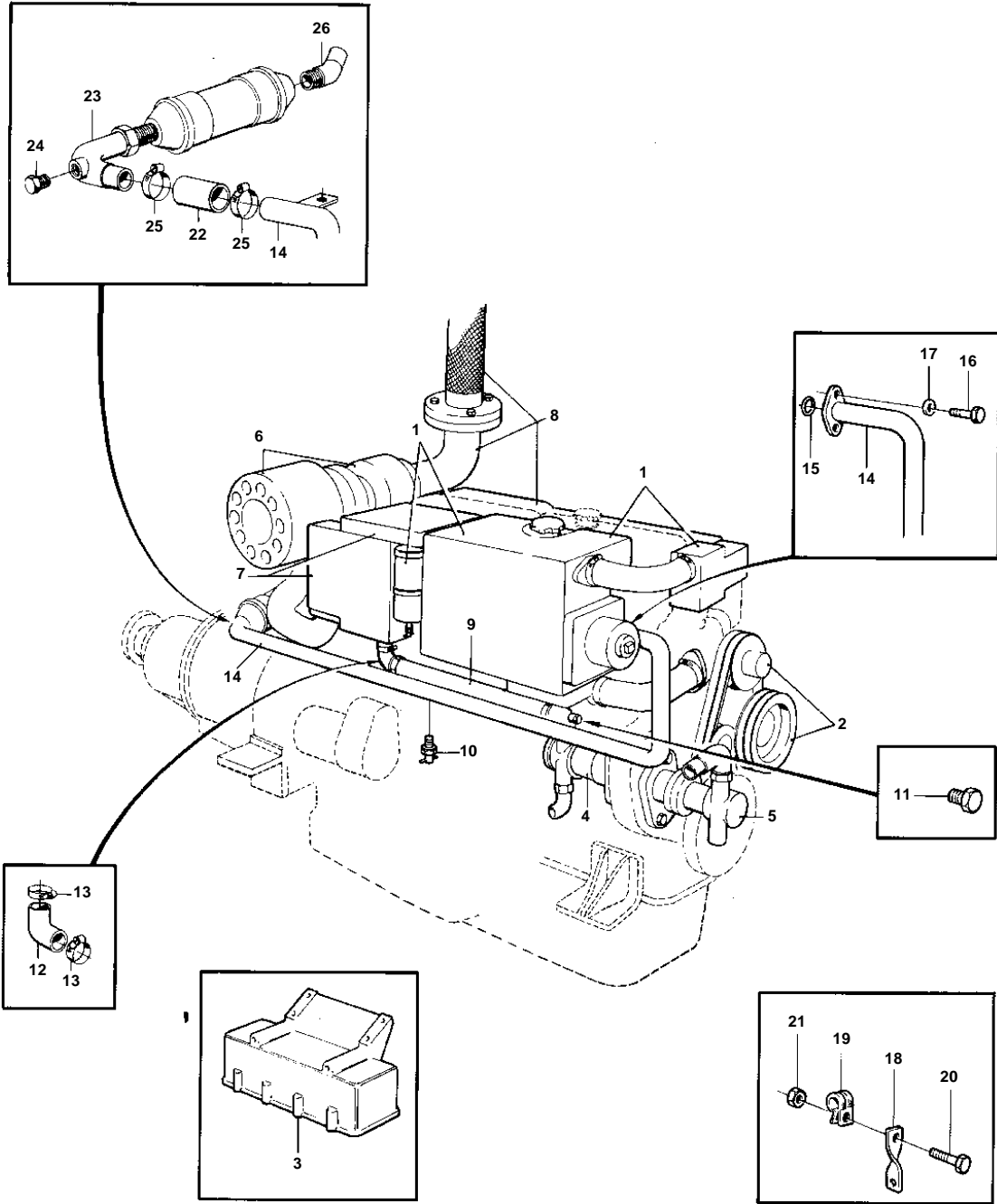


TAMD70D,AQD70D.



5150

COOLING SYSTEM WITH PLATE HEAT EXCH., INDUCTION AND EXH. MANIFOLD

02B

TAMD70D,AQD70D.

REF	PART NO.	QTY	DESCRIPTION	SEE SEC.	NOTES
1		1	HEAT EXCHANGER AND THERMOSTAT WITH INSTALLATION COMPONENTS	02B-0500	
2		1	CIRCULATION PUMP AND DRIVE DEVICE WITH INSTALLATION COMPONENTS	02B-1300	
3		1	OIL COOLER AND INSTALLATION COMPONENTS	02B-0850	
4		1	SEA WATER PUMP AND INSTALLATION COMPONENTS	02B-1050	
5		1	BILGE PUMP AND INSTALLATION COMPONENTS		SEE GROUP 9
6		1	TURBO AND AIR FILTER WITH INSTALLATION COMPONENTS	02B-1550	
7		1	INDUCTION MANIFOLD AND AFTERCOOLER WITH INSTALLATION COMPONENTS	02B-2200	
8		1	EXHAUST MANIFOLD WITH INSTALLATION COMPONENTS	02B-2250	
9	843881	1	Tube		
10	82745	1	Tap		
11	192134	1	Plug		
12	837670	1	Hose hook		
13	943476	2	Hose clamp		
14	843886	1	Tube		
15	836778	1	Gasket		
16	940135	2	Screw		
17	941907	2	Spring washer		
18	825629	1	Bracket		
19	943717	2	Clamp		
20	950046	1	Screw		
21	950352	1	Lock nut		
22	942707	X	Rubber hose		L = 170 MM
23	942334	1	Hose attachment		
24	192134	1	Plug		
25	943475	2	Hose clamp		
26	836759	1	Hose attachment		