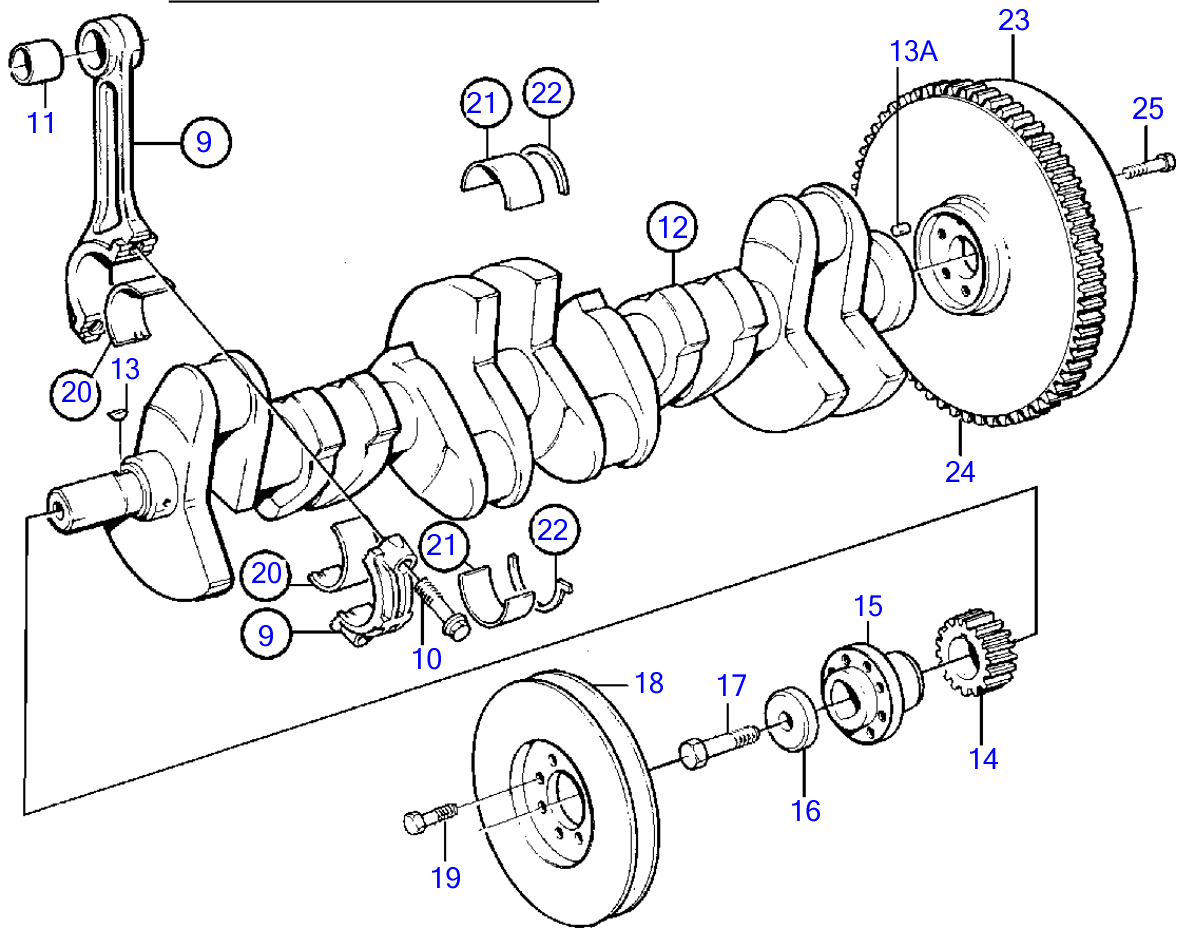
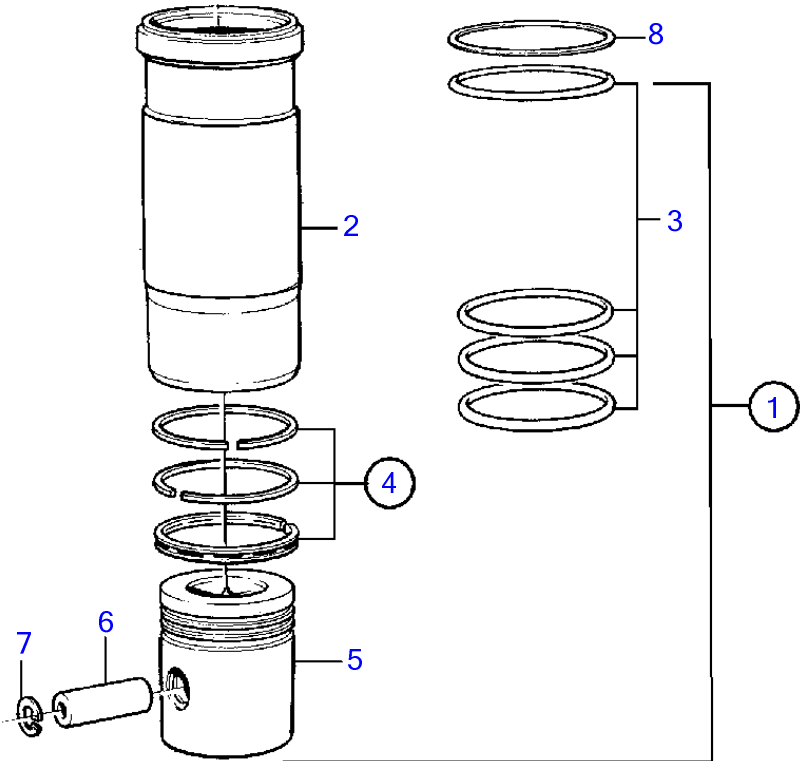


TAMD63L-A, TAMD63P-A



TAMD63L-A, TAMD63P-A

| REF | PART NO. | QTY | DESCRIPTION | SEE SEC. | NOTES |
|-----|----------|-----|---------------------|----------|--|
| 1 | 876723 | 6 | Cylinder liner kit | | See group 99 |
| 2 | | 6 | • Cylinder liner | | |
| 3 | 271161 | 6 | • Sealing ring kit | | |
| 4 | 276310 | 6 | • Piston ring kit | | |
| 5 | | 6 | • Piston | | |
| 6 | 3978023 | 6 | Piston pin | | Std (420988) |
| 7 | 914523 | 12 | Snap ring | | |
| 8 | 465394 | X | Adjusting washer | | Shims to adjust the cylinder liner level., TH=0,20mm |
| | 465395 | X | Adjusting washer | | Shims to adjust the cylinder liner level., TH=0,30mm |
| | 465396 | X | Adjusting washer | | Shims to adjust the cylinder liner level., TH=0,50mm |
| 9 | 465812 | 6 | Connecting rod | | Repl by 8192120 |
| | 8192120 | 6 | Connecting rod | | |
| | 3092237 | 6 | Connecting rod | | |
| | | | • Bulletin 45-30 | 45-30-EN | New connecting rod for TAMD60B |
| 10 | 465815 | 12 | • Screw | | |
| 11 | 465816 | 6 | • Bearing | | For 465812 |
| | 8192121 | 6 | • Bushing | | For 8192120, 3092237 |
| 12 | 420662 | 1 | Crankshaft, 6-hole | | SN-XXXXXXXXXX/106089 |
| | 8192122 | 1 | Crankshaft, 9-hole | | SNXXXXXXXXXX/106090- |
| | 24427376 | 1 | Crankshaft, 9-hole | | |
| 13 | 422253 | 1 | • Woodruff key | | |
| 13A | 950677 | 1 | • Pin | | |
| 14 | 471528 | 1 | Gear | | |
| | | | • Bulletin 45-01 | 45-01-EN | Timing Gears, 71, 100, 121 |
| 15 | 465779 | 1 | Hub | | |
| 16 | 420124 | 1 | Washer | | |
| 17 | 1543035 | 1 | Screw | | |
| 18 | 888019 | 1 | Vibration damper | | |
| 19 | 421796 | 8 | Screw | | |
| 20 | 270139 | 6 | Big-end bearing kit | | Std D |
| | | | • Bulletin 45-30 | 45-30-EN | New connecting rod for TAMD60B |
| 20 | 270140 | 6 | Big-end bearing kit | | U.S=0,25mm |
| | 270141 | 6 | Big-end bearing kit | | U.S=0,51mm |
| | (270142) | 6 | Big-end bearing kit | | U.S=0,76mm, Obsolete part |
| | 270143 | 6 | Big-end bearing kit | | U.S=1,01mm |
| | (270144) | 6 | Big end bearing kit | | U.S=1,27mm, Obsolete part |
| 21 | 271230 | 7 | Main bearing kit | | Std D |
| | 271231 | 7 | Main bearing kit | | U.S=0,25mm |
| | 271232 | 7 | Main bearing kit | | U.S=0,51mm |
| | (271233) | 7 | Main bearing kit | | U.S=0,76mm, Obsolete part |
| | 271234 | 7 | Main bearing kit | | U.S=1,01mm |
| | 271235 | 7 | Main bearing kit | | U.S=1,27mm |
| 22 | 276751 | 1 | Thrust washer kit | | Std D |
| | 276752 | 1 | Thrust washer kit | | O.S=0,10mm |
| | 276753 | 1 | Thrust washer kit | | O.S=0,20mm |
| | 276754 | 1 | Thrust washer kit | | O.S=0,30mm |
| 23 | 848350 | 1 | Flywheel, 6-hole | | SN-XXXXXXXXXX/106089 |
| | 3827177 | 1 | Flywheel, 9-hole | | With hole for alfa sensor., SNXXXXXXXXXX/106090- |
| | | | | | (3825864) |
| 24 | 420314 | 1 | • Ring gear | | (420067) |
| 25 | 465826 | 6 | Screw | | For 848350 |
| | 465826 | 9 | Screw | | For 3825864 |