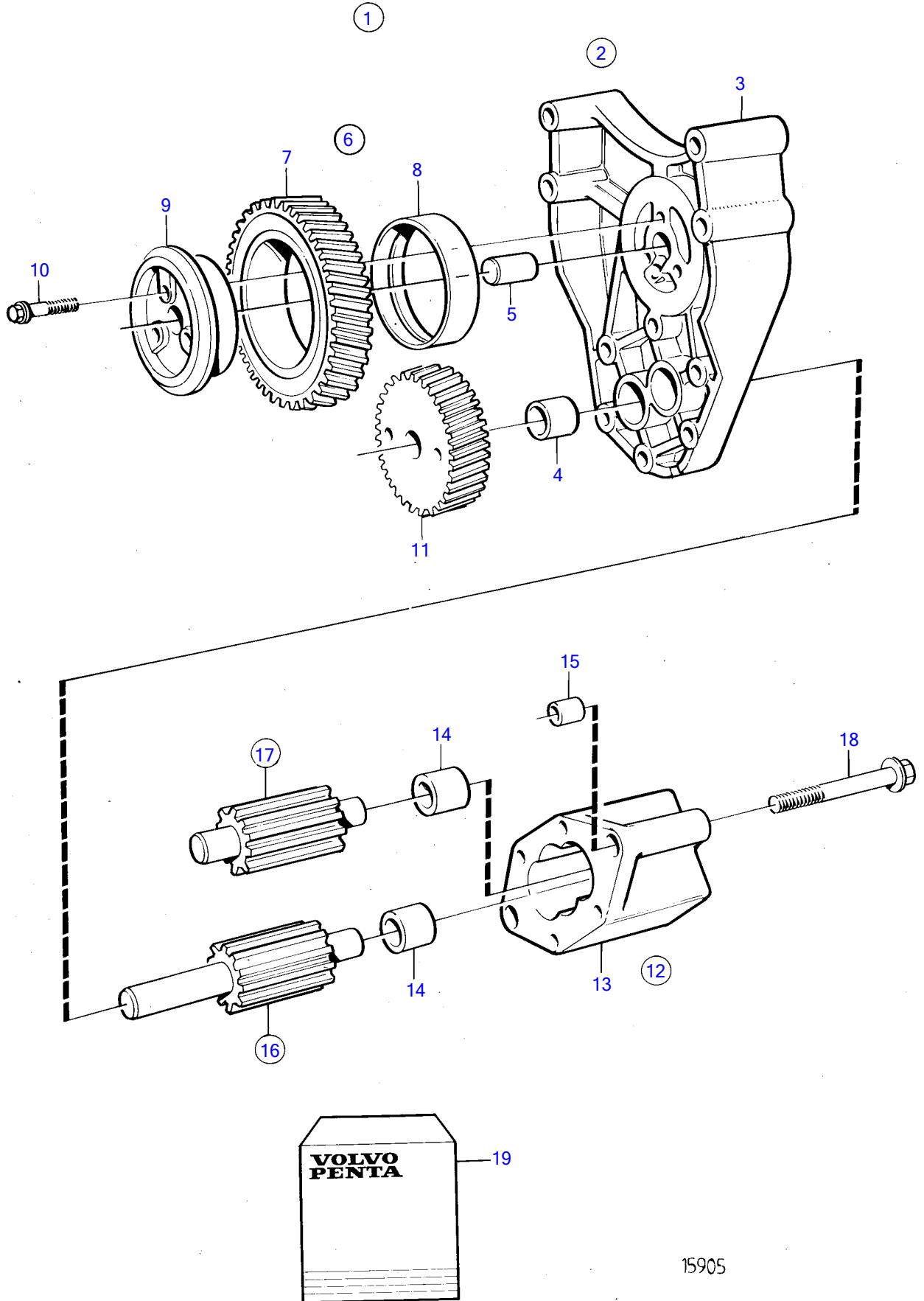


TAMD63L-A, TAMD63P-A



TAMD63L-A, TAMD63P-A

| REF | PART NO. | QTY | DESCRIPTION | NOTES |
|-----|----------|-----|--------------------|---------------------------|
| 1 | 471733 | 1 | Oil pump | Replaced by 477547 |
| 2 | 471571 | 1 | • Bracket | |
| 3 | | 1 | • • Bracket | |
| 4 | 470347 | 2 | • • • Bushing | Included in overhaul kit. |
| 5 | 191171 | 1 | • • Pin | |
| 6 | 471942 | 1 | • Idler gear | |
| 7 | | 1 | • • Idler gear | |
| 8 | | 1 | • • Bushing | |
| 9 | 420048 | 1 | • Bearing sleeve | |
| 10 | 471586 | 1 | • Screw | |
| 11 | 471941 | 1 | • Gear | |
| 12 | | 1 | • Housing | |
| 13 | | 1 | • • Housing | |
| 14 | 470347 | 2 | • • • Bushing | Included in overhaul kit. |
| 15 | 401146 | 2 | • • Guide sleeve | |
| 16 | | 1 | • Shaft, with gear | Included in overhaul kit. |
| 17 | | 1 | • Shaft, with gear | Included in overhaul kit. |
| 18 | 965218 | 2 | • Flange screw | L=75mm |
| 19 | 276152 | 1 | Overhaul kit | See group 99 |