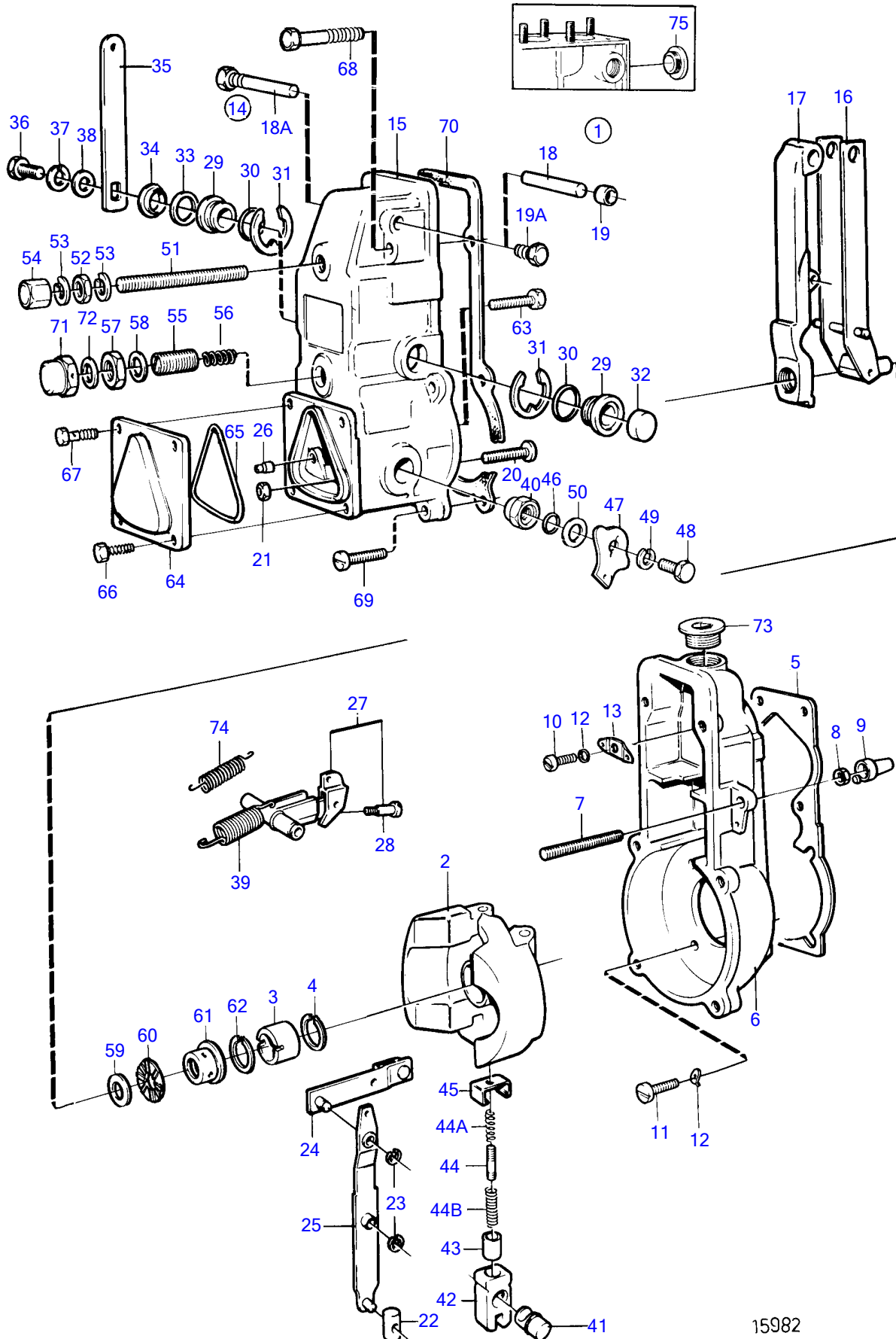


TAMD63L-A, TAMD63P-A



TAMD63L-A, TAMD63P-A

REF	PART NO.	QTY	DESCRIPTION	NOTES
1	(864751)	1	Governor	Obsolete part
2	848220	1	• Regulator weight	
3	(238994)	1	• Round nut	Obsolete part
4	(238995)	1	• Spring washer	Obsolete part
5	1698168	1	• Gasket	
6	(870907)	1	• Regulator housing	Obsolete part
7	(243451)	1	• Adjusting screw	Obsolete part
8	940197	1	• Hexagon nut	
9		1	• Cover	
10	969423	4	• 6 point socket screw	L=25mm (956097)
11	956095	4	• Cross recessed screw	L=20mm
12	949607	8	• Spring washer	
13	(870908)	1	• Bracket	Obsolete part
14		1	• Regulator cover	
15		1	• • Lock	Early type
	(862802)	1	• • Regulator cover	Only for screw 862807 and lock screw 862807., Late type, Obsolete part
16	(848760)	1	• • Arm	Obsolete part
17	(848757)	1	• • Tensioning arm	Obsolete part
18	239017	1	• • Shaft	
18A	862806	1	• • Screw	Only for cover 862802.
19	240374	2	• • Plug	
19A	(862807)	1	• • Lock screw	Only for cover 862802., Obsolete part
20	(239021)	1	• • Screw	Obsolete part
21	940197	1	• • Hexagon nut	
22	(240376)	1	• • Cube	Obsolete part
23	951667	2	• • E-circlip	(848218)
24	(845008)	1	• • Lever	Obsolete part
25		1	• • • Lever	
26	(848756)	1	• • Nut	Obsolete part
27	(870887)	1	• • Swivel arm	Obsolete part
28		1	• • Screw	
29	(240382)	2	• • Bearing bushing	Obsolete part
30	864475	2	• • O-ring	
31	942796	2	• • E-circlip	
32	(239037)	1	• • Cover	Obsolete part
33	864476	1	• • O-ring	
34	(240046)	X	• • Adjusting washer	TH=0,30mm, Obsolete part
	238132	X	• • Washer	TH=1,00mm
35	239039	1	• • Arm	
36	955271	1	• • Hexagon screw	
37	949607	2	• • Spring washer	
38	955892	1	• • Washer	
39	837737	1	• • Spring	
40	(239048)	1	• • Bearing bushing	Obsolete part
41	(239049)	1	• • Shaft	Obsolete part
42	(6213511)	1	• • Link arm end	Obsolete part
43	(239051)	1	• • Sleeve	Obsolete part
44	(240387)	1	• • Spring	Obsolete part
44A	(240386)	1	• • Spring	Obsolete part
44B	(240388)	1	• • Spring	Obsolete part
45		1	• • Brace	
46	862814	1	• • O-ring	
47	(870912)	1	• • Lever	Obsolete part
48	955271	1	• • Hexagon screw	
49	949607	1	• • Spring washer	
50	(243513)	1	• • Adjusting washer	TH=0,60mm, Obsolete part
51	(848217)	1	• • Stud	Obsolete part
52	(864108)	1	• • Nut	Obsolete part
53	190990	2	• • Gasket	
54	(862272)	1	• • Cap nut	Obsolete part
55	(864753)	1	• • Spring	Obsolete part
56	(864468)	1	• • Damping spring	Obsolete part
57	(239046)	1	• • Nut	Obsolete part

TAMD63L-A, TAMD63P-A

REF	PART NO.	QTY	DESCRIPTION	NOTES
58	18839	1	• • Gasket	
59	(848762)	1	• • Washer	Obsolete part
60	(848761)	1	• • Needle bearing	Obsolete part
61	(848763)	1	• • Bushing	Obsolete part
62	239164	1	• • Tensioning ring	
63	(848755)	1	• • Adjusting screw	Obsolete part
64	848741	1	• Cardboard tube	
65	848740	1	• Sealing ring	
66	845229	2	• Screw	
67	955268	2	• Hexagon screw	For lead-seal.
68	956100	2	• Cross recessed screw	L=40mm
69	(241990)	4	• Screw	L=25mm, Obsolete part
70	11992560	1	• Gasket	
71	(870637)	1	• Nut	Obsolete part
72	18839	1	• Gasket	
73	(240919)	1	• Plug	Obsolete part
74	845009	4	• Spring	
75	(240016)	4	• Lock screw	Obsolete part