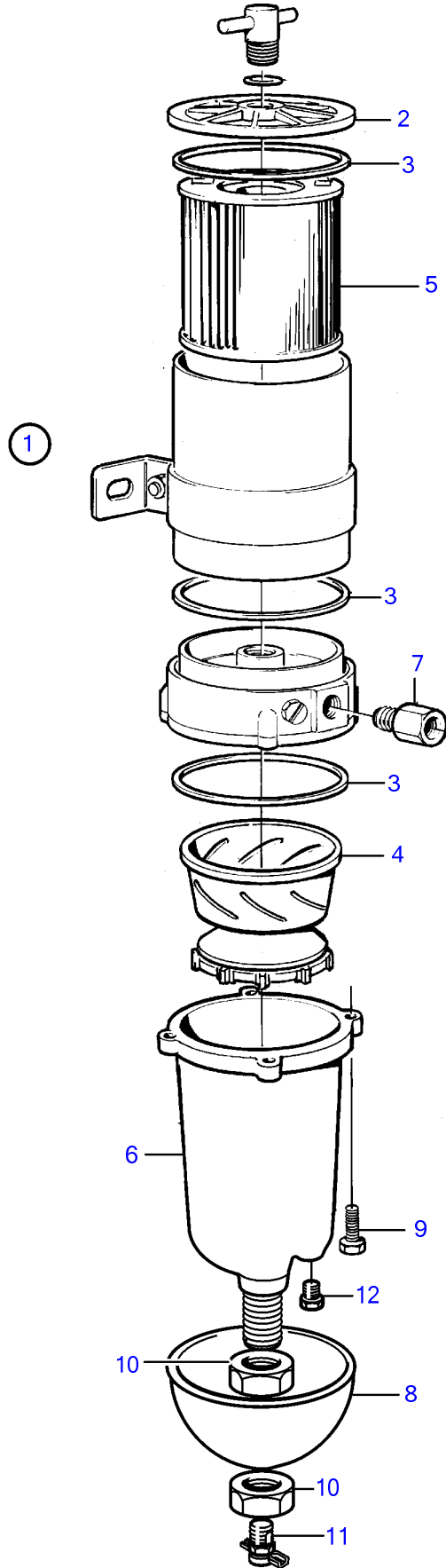


TAMD63L-A, TAMD63P-A



TAMD63L-A, TAMD63P-A

REF	PART NO.	QTY	DESCRIPTION	SEE SEC.	NOTES
1	3825021	1	Fuel filter		RINA approved., Late type, Repl by 877768
			• Bulletin 50-10	50-10-EN	Changes in Fuel Filter Program due to Legislation
2	838505	1	• O-ring		
3	846719	3	• Gasket		
4	3825028	1	• Turbine		
5	3838852	1	• Fuel filter insert		(3825027) 10 micron
6	3825030	1	• Bowl		Transparent bowl.
7	846620	2	• Nipple		
8		1	• Heat shield		
9	940094	4	• Hexagon screw		
10	861459	2	• Nut		
11	(861458)	1	• Faucet		Obsolete part
12		1	• Plug		