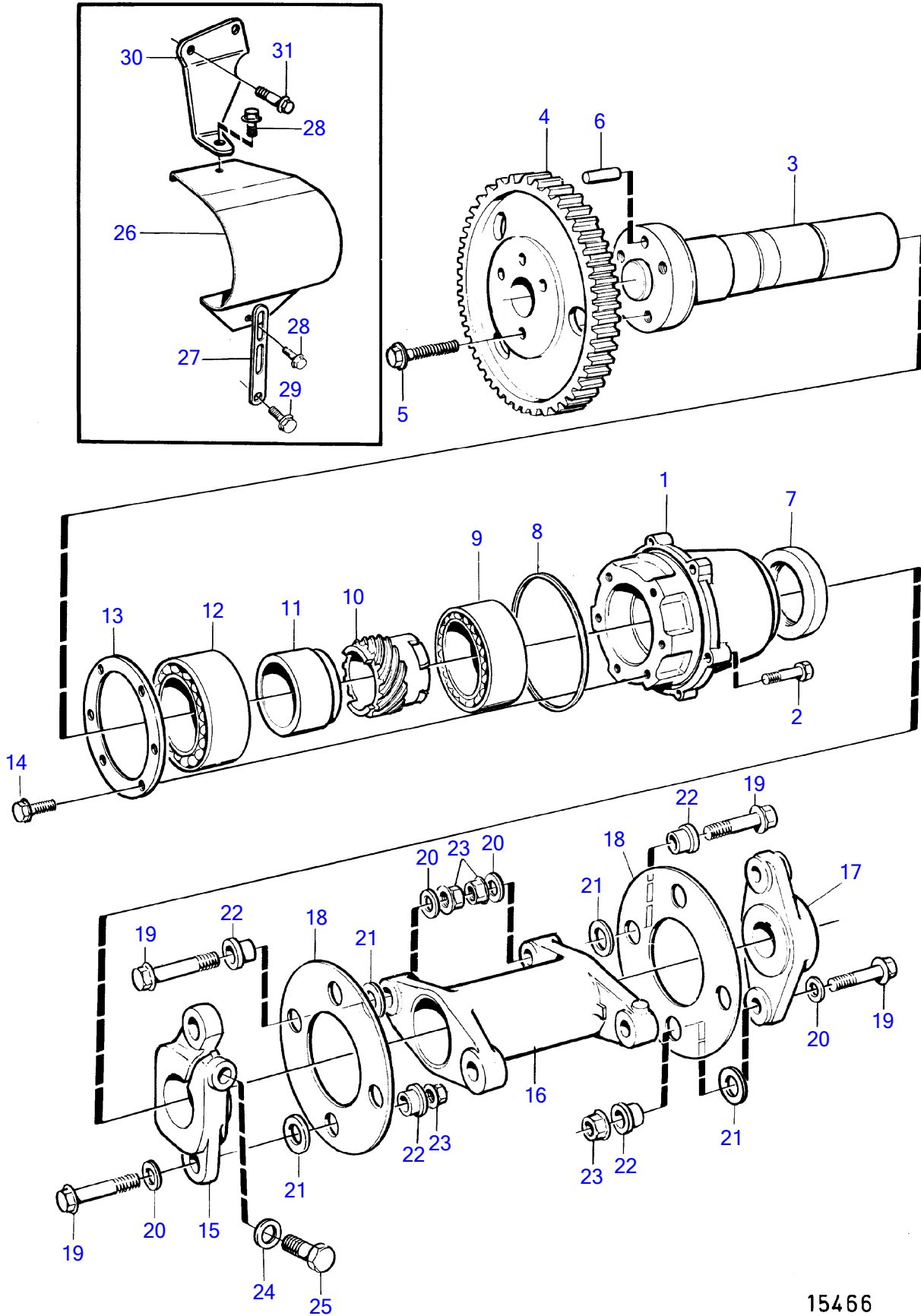


TAMD63L-A



15466

## TAMD63L-A

REF	PART NO.	QTY	DESCRIPTION	SEE SEC.	NOTES
1	420903	1	Bearing housing		
2	946671	5	Flange screw		L=30mm
3	471557	1	Stub axle		
4	478297	1	Gear		Nitro
			• Bulletin 45-01	45-01-EN	Timing Gears, 71, 100, 121
5	471558	3	Screw		
6	950586	1	Pin		
7	424580	1	Sealing ring		
8	423123	1	Sealing ring		
9	11013	1	Ball bearing		
10	469364	1	Gear		
11	469363	1	Stop ring		
12	181577	1	Ball bearing		
13	423074	1	Washer		
14	946544	6	Flange screw		
15	471383	1	Companion flange		
16	471368	1	Spacer		
17	471312	1	Companion flange		
18	479459	6	Flexplate		
19	946470	8	Flange screw		
20	976944	8	Washer		(960141)
21	479460	8	Washer		
22	478896	8	Sleeve		
23	945408	8	Flange nut		
24	976945	1	Washer		(960148)
25	970878	1	Hexagon screw		
26	865745	1	Protecting plate		
27	965545	1	Bracket		
28	967949	2	Flange screw		
29	965227	1	Flange screw, engine bracket		See group 21
30	865744	1	Bracket		
31	965189	2	Flange screw		