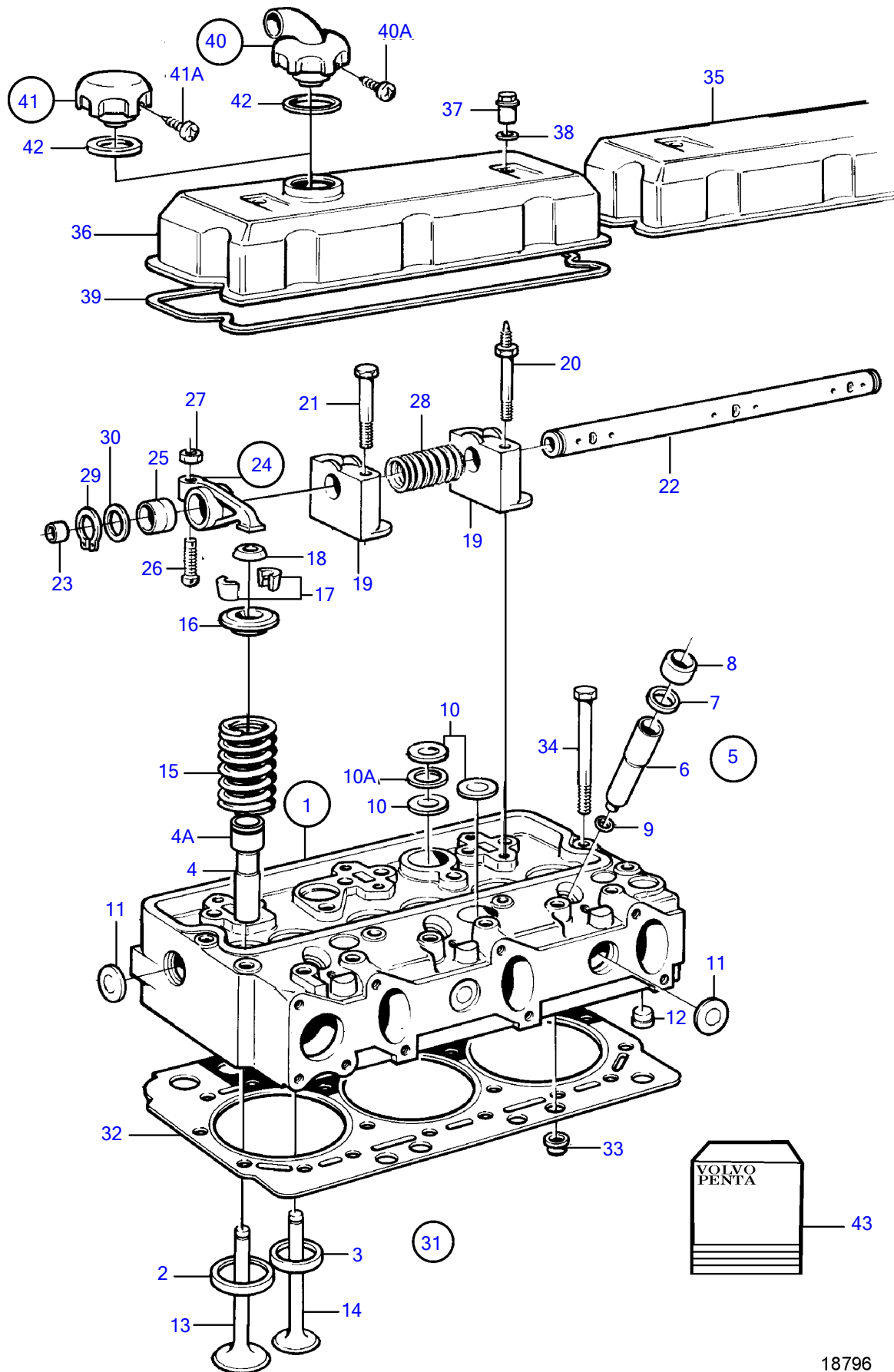


TAMD63L-A, TAMD63P-A



18796

TAMD63L-A, TAMD63P-A

REF	PART NO.	QTY	DESCRIPTION	NOTES
1	3803312	2	Cylinder head	(876828)
2	420874	6	• Valve seat, intake	Std
	420876	6	• Valve seat, intake	O.S=0,20mm
3	420875	6	• Valve seat, exhaust	Std
	420877	6	• Valve seat, exhaust	O.S=0,20mm
4	477876	12	• Valve guide	(477877)
4A	859171	12	• Valve stem seal	
5	877094	6	• Copper sleeve kit	See group 99
6		6	• • Spray sleeve	
7	466405	6	• • Sealing ring	
8	466420	6	• • Ring	
9	466922	6	• • O-ring	
10	477026	14	• Expansion plug	D=26mm
10A	947626	4	• Gasket	
11	477024	8	• Expansion plug	D=35mm
12	465420	4	• Jet	
13	3825723	6	• Inlet valve, Nimonic	(864467)
14	8192143	6	• Exhaust valve, Nimonic	(465549)
15	465233	12	• Valve spring	
16	465550	12	• Valve spring washer	
17	1677875	24	• Valve collet	
18	465551	12	Ring	Included in gasket kit.
19	1665204	6	Bearing bracket	
20	471512	4	Stud	
21	471513	8	Screw	
22	465790	2	Rocker arm shaft	
23	955083	4	• Cap plug	
24	420132	6	Rocker arm, exhaust	
	420129	6	Rocker arm, intake	
25	420125	12	• Bushing	
26	422993	12	• Ball stud	
27	940175	12	• Hexagon nut	
28	411139	4	Compression spring	
29	914456	4	Snap ring	
30	400722	4	Shim	
31	276821	2	Cylinder head gasket	See group 99
32		2	• Gasket	
33	465784	12	• Sealing ring	I.D=26mm
	466421	16	• Sealing ring	I.D=16mm
	422413	2	• Sealing ring	I.D=11mm
34	465840	40	Screw	
35	465951	1	Valve cover	Early type,
36	465950	2	Valve cover	
37	465961	4	Cap nut	
38	471856	4	Sealing ring	Included in gasket kit.
39	465952	2	Gasket	Included in gasket kit.
40	866979	1	Oil filler cap, with crankh vent outlet	
40A	955126	3	• Cross recessed screw	
41	421753	1	Oil filler cap	
41A	955126	3	• Cross recessed screw	
42	1275379	2	Gasket	
43	876726	1	De-carbonizing kit	See group 99