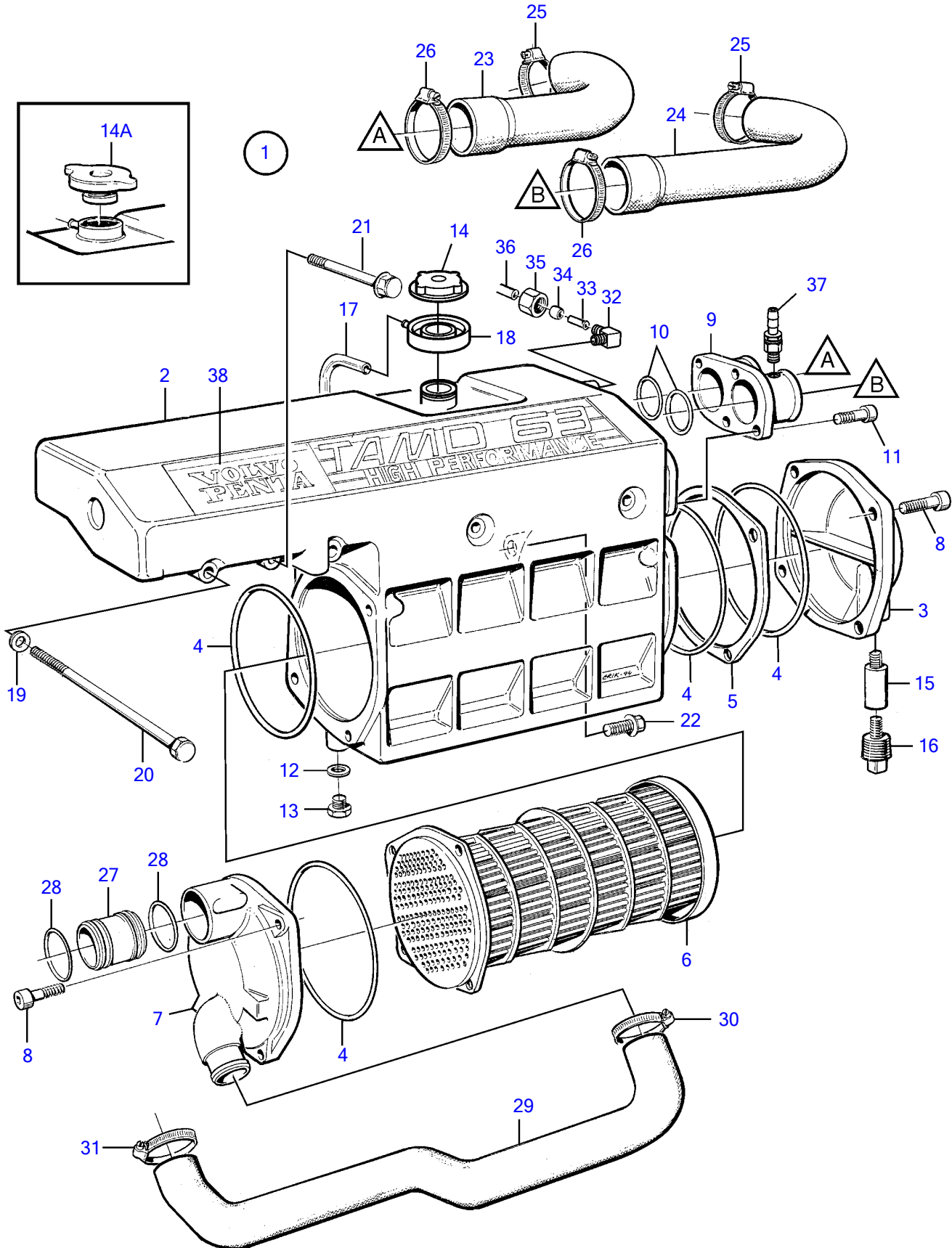


TAMD63L-A, TAMD63P-A



## TAMD63L-A, TAMD63P-A

REF	PART NO.	QTY	DESCRIPTION	NOTES
1	3828572	1	Heat exchanger	
2	866588	1	• Heat exchanger housi	
3		1	• End plate	
4	949272	4	• O-ring	
5	866593	1	• Spacer	
6	866591	1	• Heat exchanger	
7	866589	1	• End plate	
8	959224	8	• Hex. socket screw	
9	866592	1	• Hose connection	
10	125362	2	• O-ring	
11	959222	4	• Hex. socket screw	
12	907132	1	• Gasket	
13	960628	1	• Plug	
14	1674083	1	• Pressure cap	
14A	866761	1	Pressure cap	Earlier prod.
15	838929	1	• Anode	
16	838928	1	• Plug	
17	192618	1	Hose	L=800mm
18	3828863	1	Rubber collar	
19	941907	4	Spring washer	
20	968006	4	Hexagon screw	M8x200mm
21	973924	1	Flange screw	M8x50mm, (965179)
22	946671	1	Flange screw	
23	866215	1	Hose	Thermostat housing-heat exchanger.
24	866216	1	Hose	
25	961672	2	Hose clamp	
26	961673	2	Hose clamp	
27	866594	1	Tube	
28	866690	2	O-ring	Included in kit 876725., See group 99
29	866218	1	Hose	
30	961673	1	Hose clamp	
31	961672	1	Hose clamp	
32	954385	2	Elbow nipple	
33	944717	2	Support sleeve	
34	954364	2	Sleeve	
35	954356	2	Fitting nut	
36	945460	1	Tube	L=1020mm
37	949918	2	Shut-off cock	
38	866764	1	Decal	