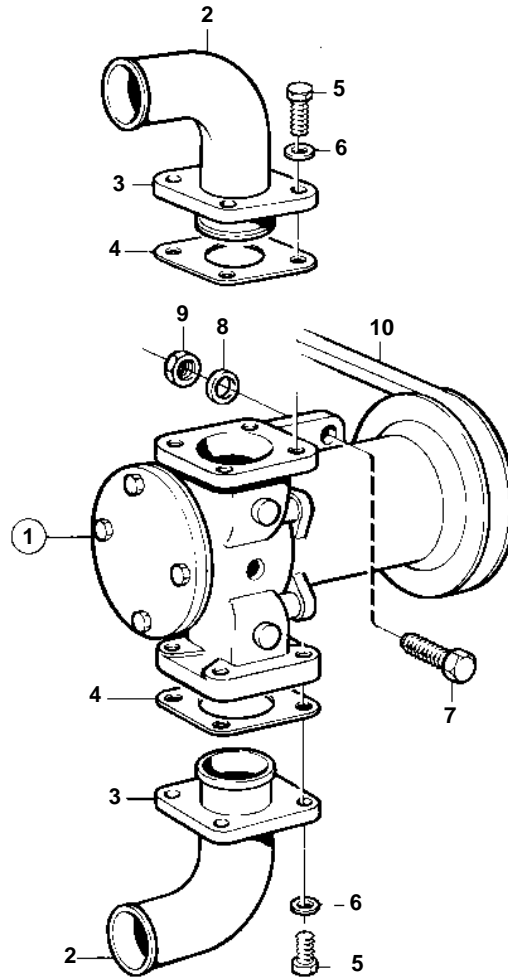
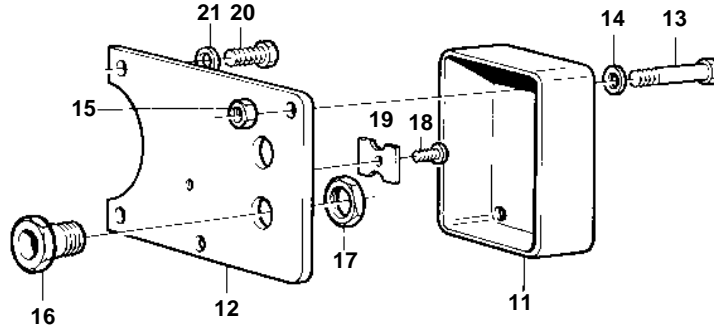


TAMD63L-A, TAMD63L-B, TAMD63P-A, TAMD61A, TAMD71A, TAMD71B, TAMD74A-A, TAMD74A-B, TAMD74C-A, TAMD74L-A, TAMD74P-A, TAMD74C-B, TAMD74L-B, TAMD74P-B



8734

TAMD63L-A, TAMD63L-B, TAMD63P-A, TAMD61A, TAMD71A, TAMD71B, TAMD74A-A, TAMD74A-B, TAMD74C-A, TAMD74L-A, TAMD74P-A, TAMD74C-B, TAMD74L-B, TAMD74P-B

REF	PART NO.	QTY	DESCRIPTION	SEE SEC.	NOTES
1	846104	1	Bilge pump		1 1/4"
				644	
2	842028	2	Riser		
3	842029	2	Flange		
4	862592	2	Gasket		
5	940114	8	Screw		
6	942336	8	Spring washer		
7	946472	4	Screw		
8	976945	4	Washer		
9	971095	4	Nut		
10	846361	1	V-belt		L=1160mm. When the pump is installed on the bracket.
	863186	1	V-belt		L=1218mm. When the pump is installed on the clutch.
11	837392	1	Cover		
12		1	Bracket		
13	956301	2	Screw		
14	941905	2	Spring washer		
15	955780	2	Nut		
16	881192	1	Cable union		
	822327	1	Cable union		
17	880243	2	Nut		
18	956049	1	Screw		
19	926219	1	Coupling piece		(182010)
20	955525	2	Screw		
21	941907	2	Spring washer		