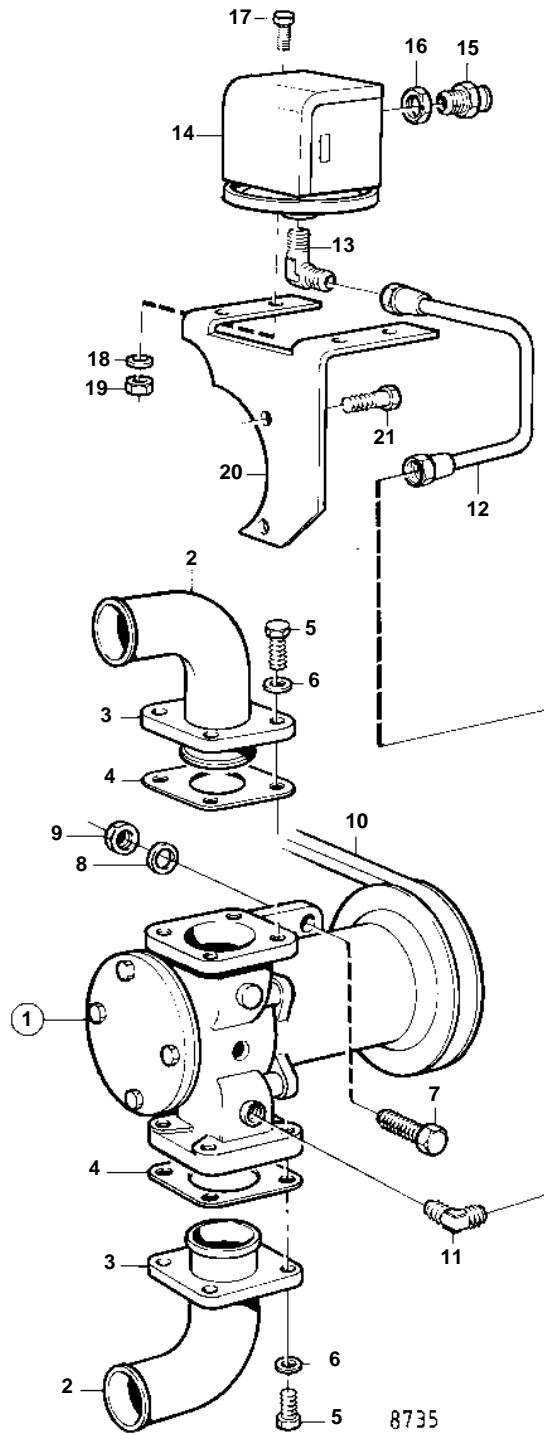


TAMD61A, TAMD63L-A, TAMD63L-B, TAMD63P-A, TAMD71A, TAMD71B, TAMD74A-A, TAMD74A-B, TAMD74C-A, TAMD74L-A, TAMD74P-A, TAMD74C-B, TAMD74L-B, TAMD74P-B



TAMD61A, TAMD63L-A, TAMD63L-B, TAMD63P-A, TAMD71A, TAMD71B, TAMD74A-A, TAMD74A-B, TAMD74C-A, TAMD74L-A, TAMD74P-A, TAMD74C-B, TAMD74L-B, TAMD74P-B

REF	PART NO.	QTY	DESCRIPTION	SEE SEC.	NOTES
1	846104	1	Bilge pump		1 1/4"
				644	
2	842028	2	Riser		
3	842029	2	Flange		
4	862592	2	Gasket		
5	940114	8	Screw		
6	942336	8	Spring washer		
7	946472	4	Screw		
8	976945	4	Washer		
9	971095	4	Nut		
10	863186	1	V-belt		L=1218mm. When the pump is installed on the bracket.
	846361	1	V-belt		L=1160mm. When the pump is installed on the clutch.
11	954343	1	Elbow nipple		
12	846253	1	Tube		
13	944155	1	Nipple		
14	1144047	1	Switch		
15	822327	1	Cable union		
	881192	1	Cable union		
16	880243	2	Nut		
17		4	Screw		
18	941904	4	Spring washer		
19	940119	4	Nut		
20	846218	1	Bracket		
21	955525	2	Screw		