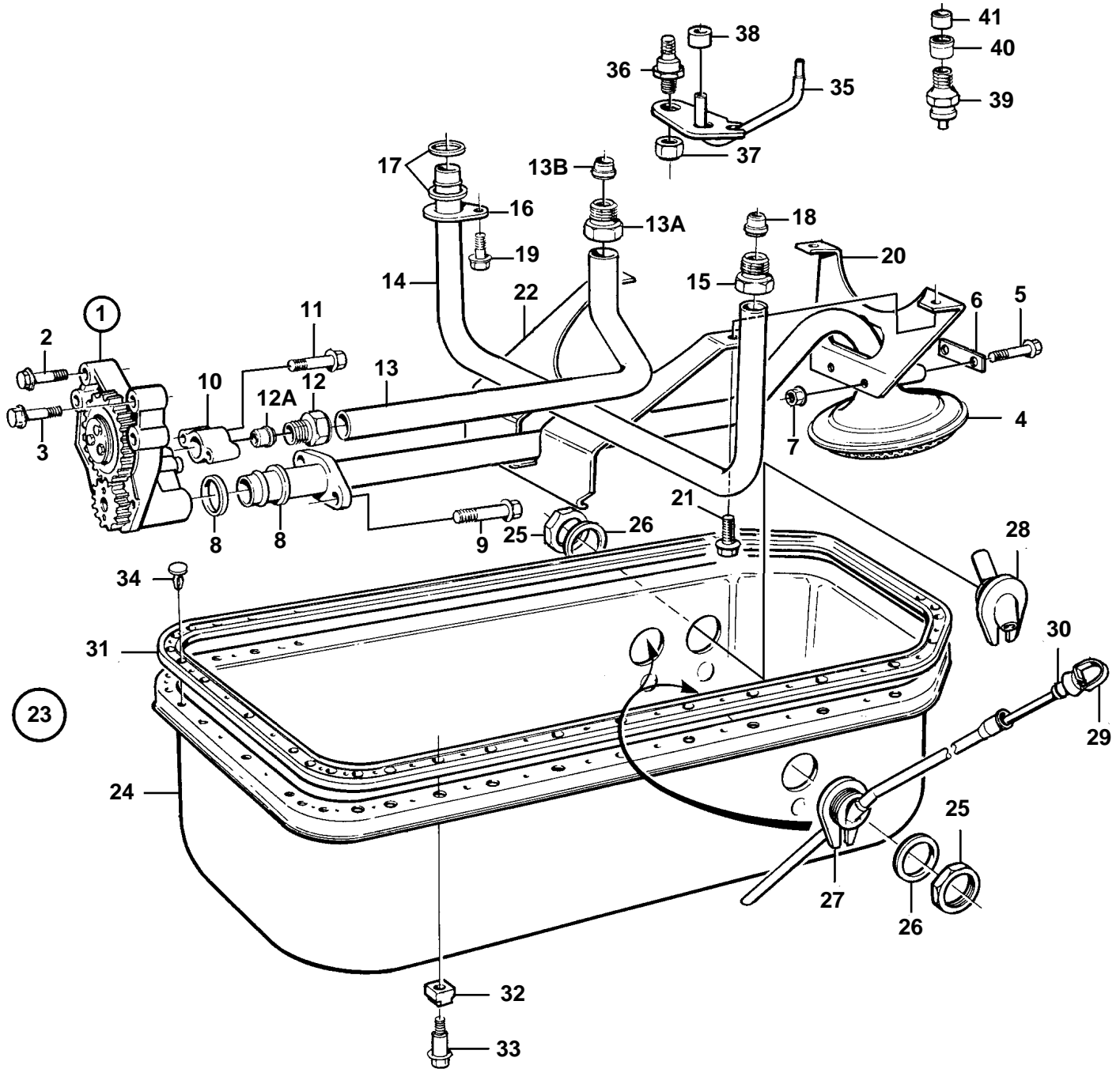


TAMD63L-A, TAMD63L-B, TAMD63P-A



TAMD63L-A, TAMD63L-B, TAMD63P-A

REF	PART NO.	QTY	DESCRIPTION	SEE SEC.	NOTES
1	477547	1	Oil pump		
				1036	
2	471513	4	Screw		
3	471734	2	Screw		
4	3830716	1	Oil pump screen		
5	965217	2	Flange screw		
6	421750	1	Washer		
7	945408	2	Flange nut		(968862)
8	470383	2	Sealing ring		
9	965183	2	Flange screw		(965182)
10	465846	1	Intermediate section		
11	968553	2	Screw		(973080)
12	471588	1	Pressure pipe connec		
12A	980786	1	Ferrule		
13	420994	1	Oil feed pipe		(864765)
13A	471595	1	· Pressure pipe connec		(471588)
13B	980786	1	· Ferrule		
14	420996	1	Oil feed pipe		(471594)
15	471595	1	· Pressure pipe connec		(471588)
16	471746	1	· Clamp		
17	471956	2	· Sealing ring		
18	980786	1	· Ferrule		
19	946440	1	Flange screw		
20	847698	1	Bracket		
21	946173	2	Flange screw		
22	3825820	1	Baffle plate		(866659)
23		1	Oil pan		CMPL
24	865755	1	· Oil pan		
25	468948	3	· Nut		
26	468947	3	· Sealing ring		
27	866743	2	· Pipe		
28	866749	1	· Pipe connection		
29	866746	2	· Oil dipstick		
30	925054	2	· · O-ring		
31	420941	1	Gasket		
32	420991	34	Rubber cushion		
33	1556083	34	Screw		
34	943353	20	Rivet		
35	420628	6	Nozzle		
36	471596	6	Stud		
37	948570	6	Lock nut		
38	466874	6	Sealing ring		
39	864533	1	Reducing valve		
40	864531	1	Tube		
41	980786	1	Ferrule		