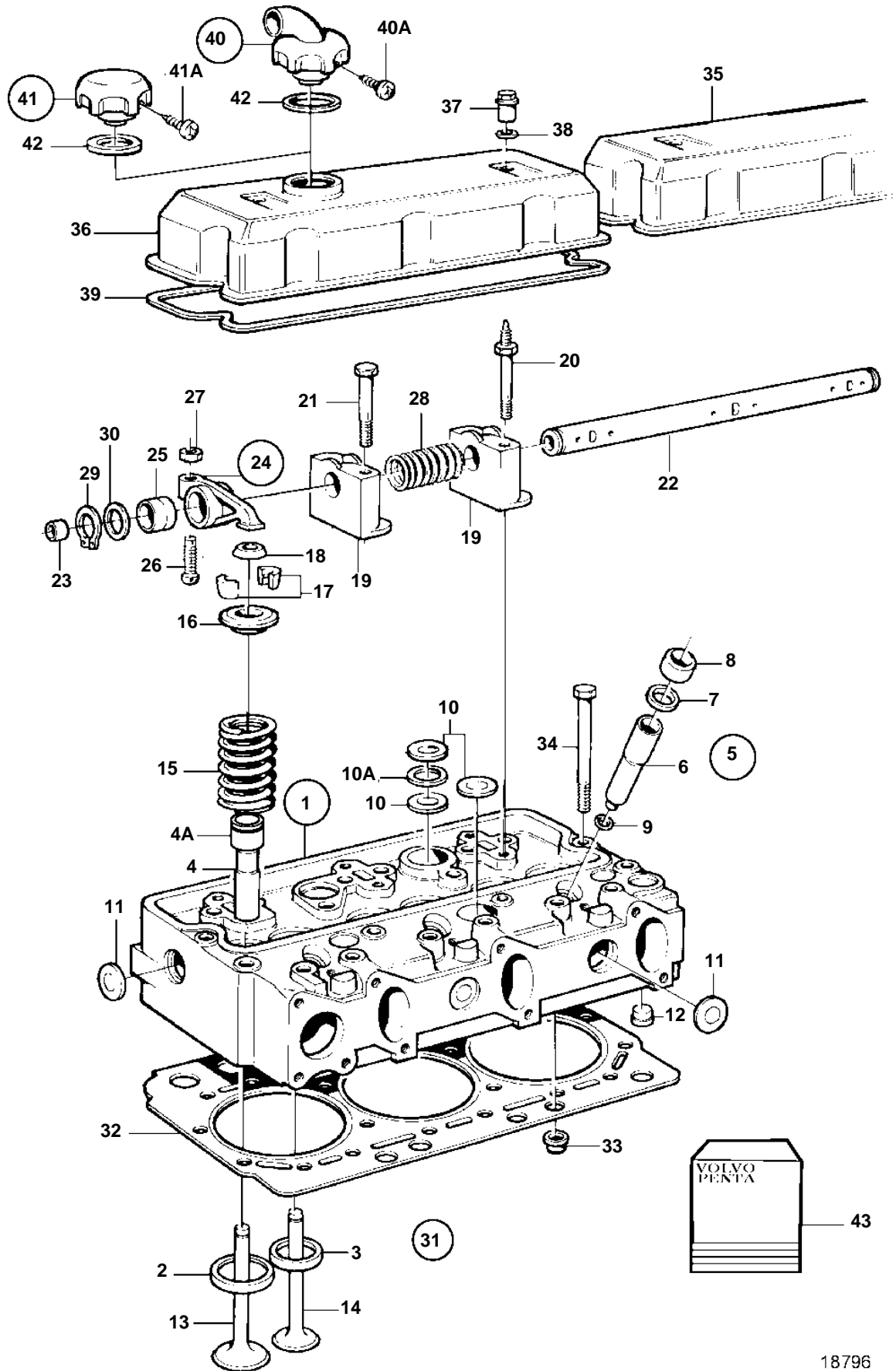


TAMD63L-A, TAMD63L-B, TAMD63P-A



18796

## TAMD63L-A, TAMD63L-B, TAMD63P-A

REF	PART NO.	QTY	DESCRIPTION	NOTES
1	876828	2	Cylinder head	
	3803312	2	Cylinder head, exch	Exchange unit
2	420874	6	· Valve seat, intake	STD
	420876	6	· Valve seat, intake	O.S=0,20mm
3	420875	6	· Valve seat, exhaust	STD
	420877	6	· Valve seat, exhaust	O.S=0,20mm
4	477876	12	· Valve guide	(477877)
4A	859171	12	· Valve stem seal	
5	877094	6	· Copper sleeve kit	SEE GROUP 99
6		6	· · Spray sleeve	
7	466405	6	· · Rubber ring	
8	466420	6	· · Steel ring	
9	466922	6	· · O-ring	
10	477026	14	· Expansion plug	D=26mm
10A	947626	4	· Gasket	
11	477024	8	· Expansion plug	D=35mm
12	465420	4	· Nozzle	
13	3825723	6	· Inlet valve, nimonic	(864467)
14	8192143	6	· Exhaust valve, nimonic	(465549)
15	465233	12	· Valve spring	
16	465550	12	· Washer	
17	1677875	24	· Valve collet	
18	465551	12	Protecting ring	Included in gasket kit.
19	1665204	6	Bearing bracket	
20	471512	4	Stud	
21	471513	8	Screw	
22	465790	2	Rocker arm shaft	
23	955083	4	· Cap plug	
24	420132	6	Rocker arm, exhaust	
	420129	6	Rocker arm, intake	
25	420125	12	· Bushing	
26	422993	12	· Ball stud	
27	940175	12	· Nut	
28	411139	4	Spring	
29	914456	4	Lock ring	
30	400722	4	Washer	
31	276821	2	Gasket kit	SEE GROUP 99
32		2	· Gasket	
33	465784	12	· Sealing ring	I.D=26mm
	466421	16	· Sealing ring	I.D=16mm
	422413	2	· Sealing ring	I.D=11mm
34	465840	40	Screw	
35	465951	1	Valve cover	EARLY TYPE,
36	465950	2	Valve cover	
37	465961	4	Nut	
38	471856	4	Sealing ring	Included in gasket kit.
39	465952	2	Gasket	Included in gasket kit.
40	866979	1	Oil filler cap, with crankh vent outlet	
40A	955126	3	· Screw	
41	421753	1	Oil filler cap	
41A	955126	3	· Screw	
42	1275379	2	Gasket	
43	876726	1	Gasket kit	SEE GROUP 99