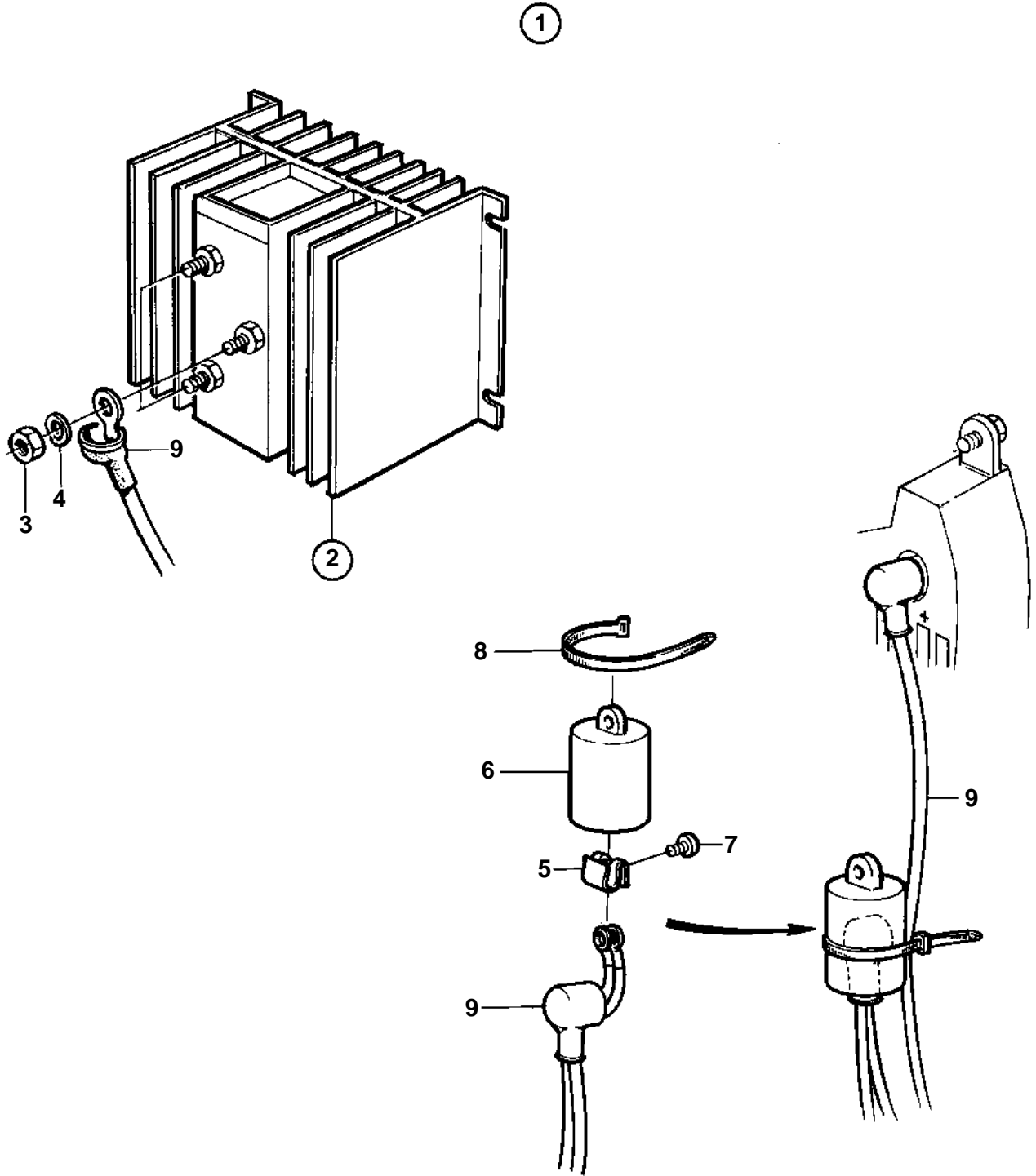


COMMON, TAMD63L-A, TAMD63L-B, TAMD63P-A, TAMD71B, TAMD73P-A, TAMD63L-A, TAMD63L-B, TAMD74A-A, TAMD74A-B, TAMD74C-A, TAMD74L-A, TAMD74P-A, TAMD74C-B, TAMD74L-B, TAMD74P-B, KAD32P-A, TAMD42WJ-A, KAMD43P-A, KAD43P-A, KAMD44P-A, KAD44P-A, KAMD44P-B, KAD44P-B, KAMD44P-C, KAD44P-C, KAMD300-A, KAD300-A, TAMD103A-A, TAMD165C-A, TAMD165A-A, TAMD165P-A,



COMMON, TAMD63L-A, TAMD63L-B, TAMD63P-A, TAMD71B, TAMD73P-A, TAMD63L-A, TAMD63L-B, TAMD74A-A, TAMD74A-B, TAMD74C-A, TAMD74L-A, TAMD74P-A, TAMD74C-B, TAMD74L-B, TAMD74P-B, KAD32P-A, TAMD42WJ-A, KAMD43P-A, KAD43P-A, KAMD44P-A, KAD44P-A, KAMD44P-B, KAD44P-B, KAMD44P-C, KAD44P-C, KAMD300-A, KAD300-A, TAMD103A-A, TAMD165C-A, TAMD165A-A, TAMD165P-A,

REF	PART NO.	QTY	DESCRIPTION	SEE SEC.	NOTES
1	873120	1	Charge distributor		For charging of 2 batteries.. For alternators 12-28V up to 60A.
			Bulletin 52-07	52-07-EN	Charging Distributor
			Bulletin 52-11	52-11-EN	Charging Distributor
2	872928	1	· Charge distributor		
3	955846	3	· Nut		
4	941906	3	· Spring washer		
5	859492	1	· Spring nut		
6	859493	1	· Protecting casing		
7	955126	1	· Screw		
8	948211	1	· Strip clamp		
9		X	Electrical materials	1963	