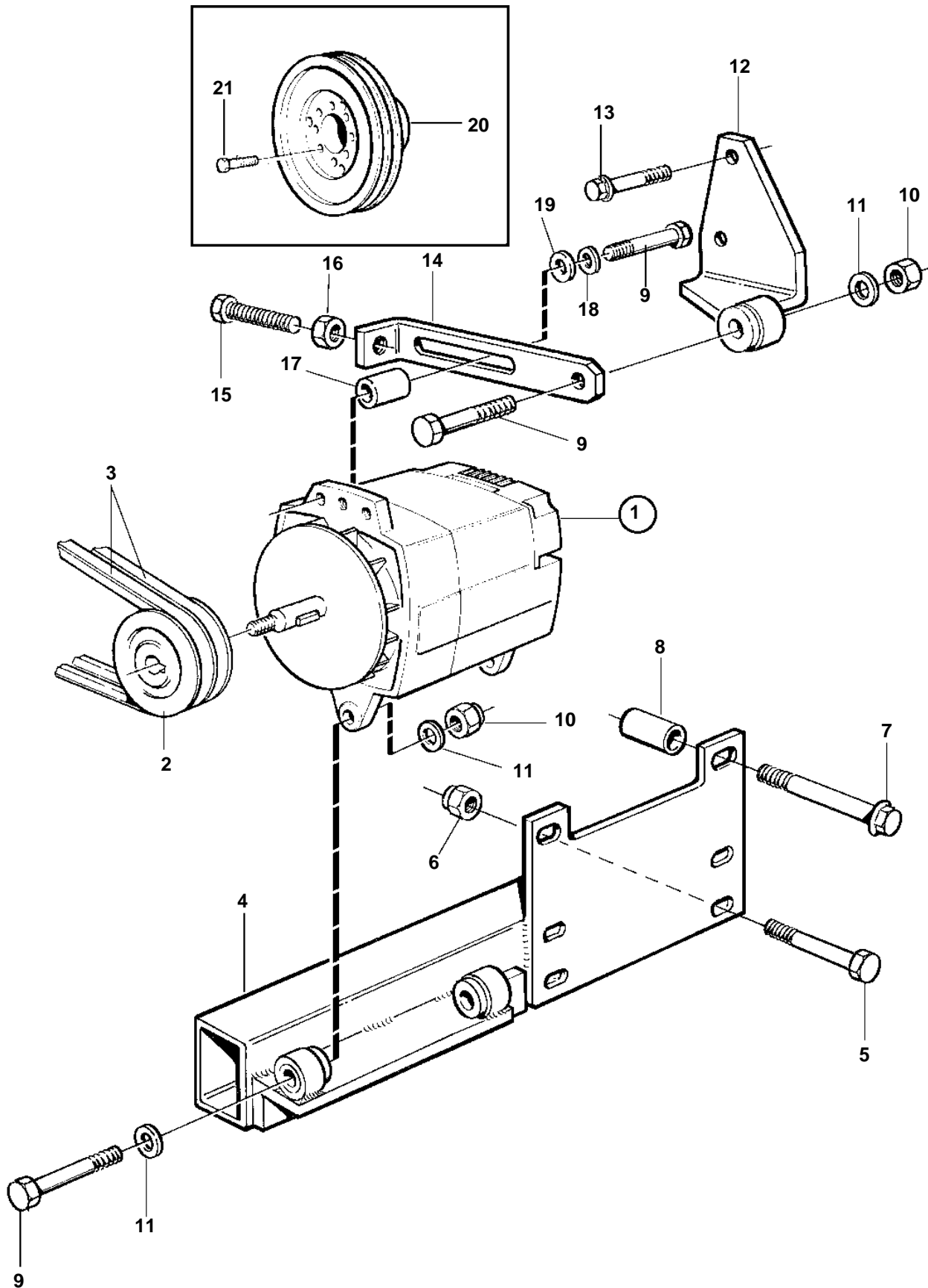


TAMD63L-A, TAMD63L-B, TAMD63P-A, TAMD71B, TAMD73P-A, TAMD73WJ-A, TAMD74A-A, TAMD74A-B, TAMD74C-A, TAMD74L-A, TAMD74P-A, TAMD74C-B, TAMD74L-B, TAMD74P-B



17097

TAMD63L-A, TAMD63L-B, TAMD63P-A, TAMD71B, TAMD73P-A, TAMD73WJ-A, TAMD74A-A, TAMD74A-B, TAMD74C-A, TAMD74L-A, TAMD74P-A, TAMD74C-B, TAMD74L-B, TAMD74P-B

REF	PART NO.	QTY	DESCRIPTION	SEE SEC.	NOTES
1	849747	1	Alternator		14V 130A. For 12 voltage electric system.
	3803577	1	Alternator,exch		Exchange unit
				594	
	849748	1	Alternator		28V 100A. For 24 voltage electric system
	3803499	1	Alternator,exch		Exchange unit
				596	
2	862355	1	Pulley		
3	966391	1	V-belt kit		
4	3825340	1	Alternator bracket		
5	965188	4	Screw		
6	971083	4	Lock nut		
7	965197	2	Flange screw		
8	824334	2	Spacer sleeve		
9	955566	4	Screw		
10		3	Lock nut		
11	955897	5	Washer		
12	3825349	1	Alternator bracket		
13	973924	2	Flange screw		
14	849791	1	Tensioner		
15	973246	1	Hexagon screw		
16	971071	1	Nut		
17	842406	1	Sleeve	OP	
18	940280	1	Spring washer		
19	955897	1	Washer		
20	848378	1	Pulley		
21	465840	8	Screw		