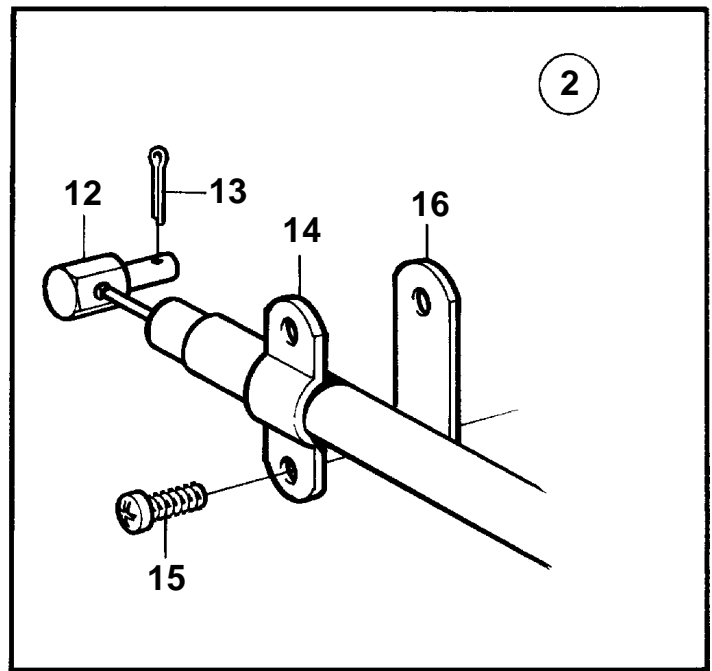
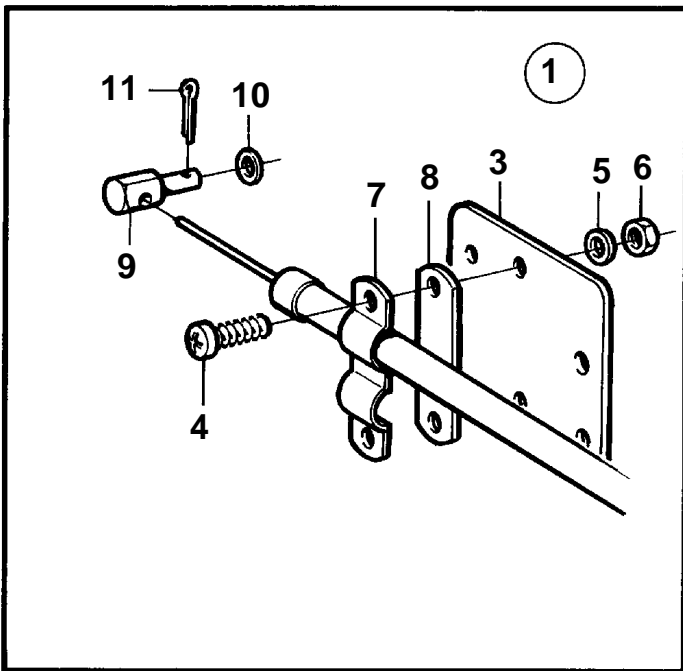
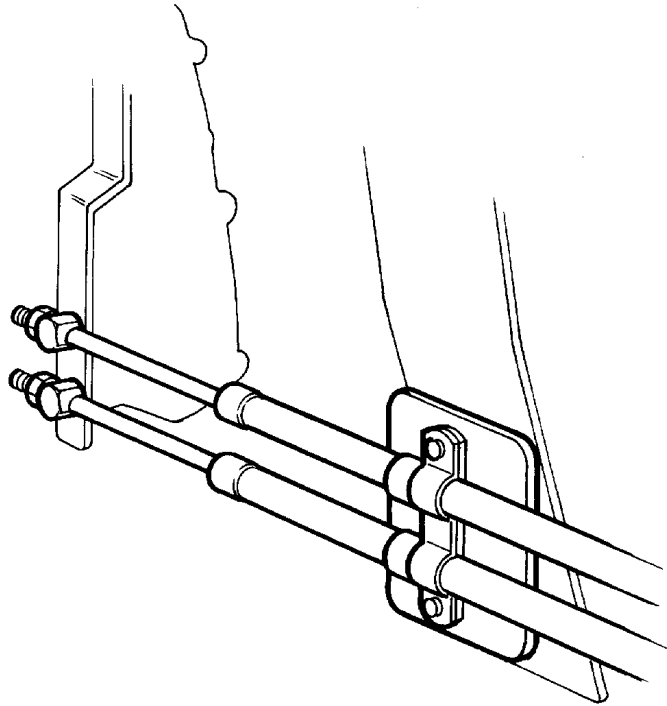


COMMON, TAMD63L-A, TAMD63L-B, TAMD63P-A, TAMD71B, TAMD73P-A, TAMD103A-A



8745

COMMON, TAMD63L-A, TAMD63L-B, TAMD63P-A, TAMD71B, TAMD73P-A, TAMD103A-A

REF	PART NO.	QTY	DESCRIPTION	NOTES
1	843945	1	Mounting kit	For control cable type 333.
3	843944	1	· Anchorage	
4	950021	2	· Screw	
5	941905	2	· Spring washer	
6	955844	2	· Nut	
7	850182	1	· Cable attachment	
8	850183	1	· Spacer	
9	814085	2	· Cube	
10	941906	2	· Spring washer	
11	17276	2	· Cotter pin	