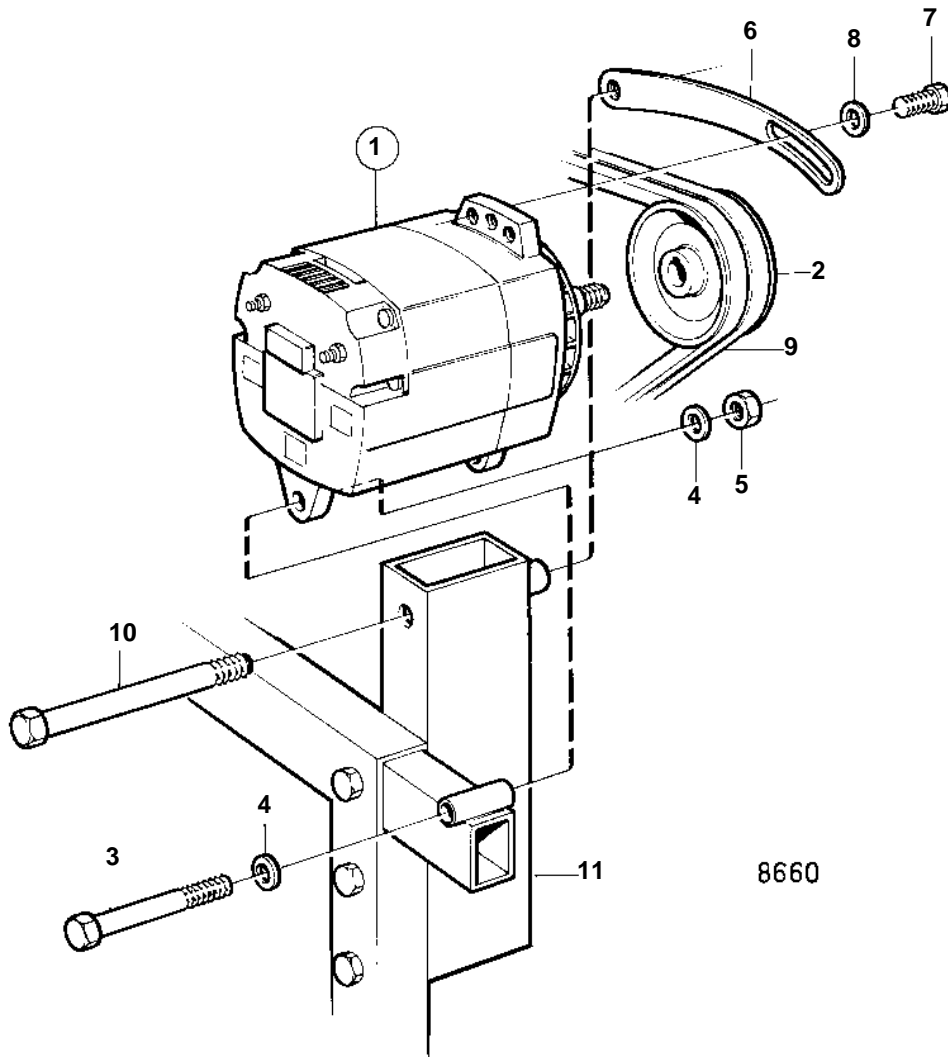
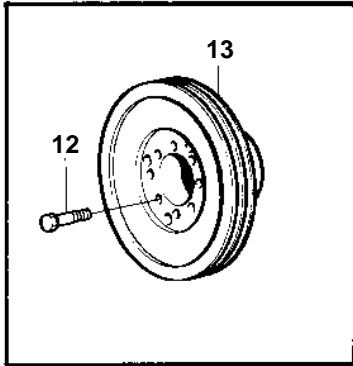


TAMD61A



TAMD61A

REF	PART NO.	QTY	DESCRIPTION	SEE SEC.	NOTES
1	849748	1	Alternator		28V 100A. For 24 voltage electric system Exchange unit
	3803499	1	Alternator,exch		
				596	
2	848171	1	Pulley		EARLY TYPE
	862355	1	Pulley		SN1101003664/XXXXX-
3	970987	1	Screw		
4	940280	2	Spring washer		
5	971072	1	Nut		
6	848492	1	Tensioner		
7	955559	1	Screw		
8	940280	1	Spring washer		
9	966396	1	V-belt kit		L=2x175mm
10	970963	1	Screw		
11		1	Bracket	1470	
12	465840	8	Screw		
13	848378	1	Pulley		