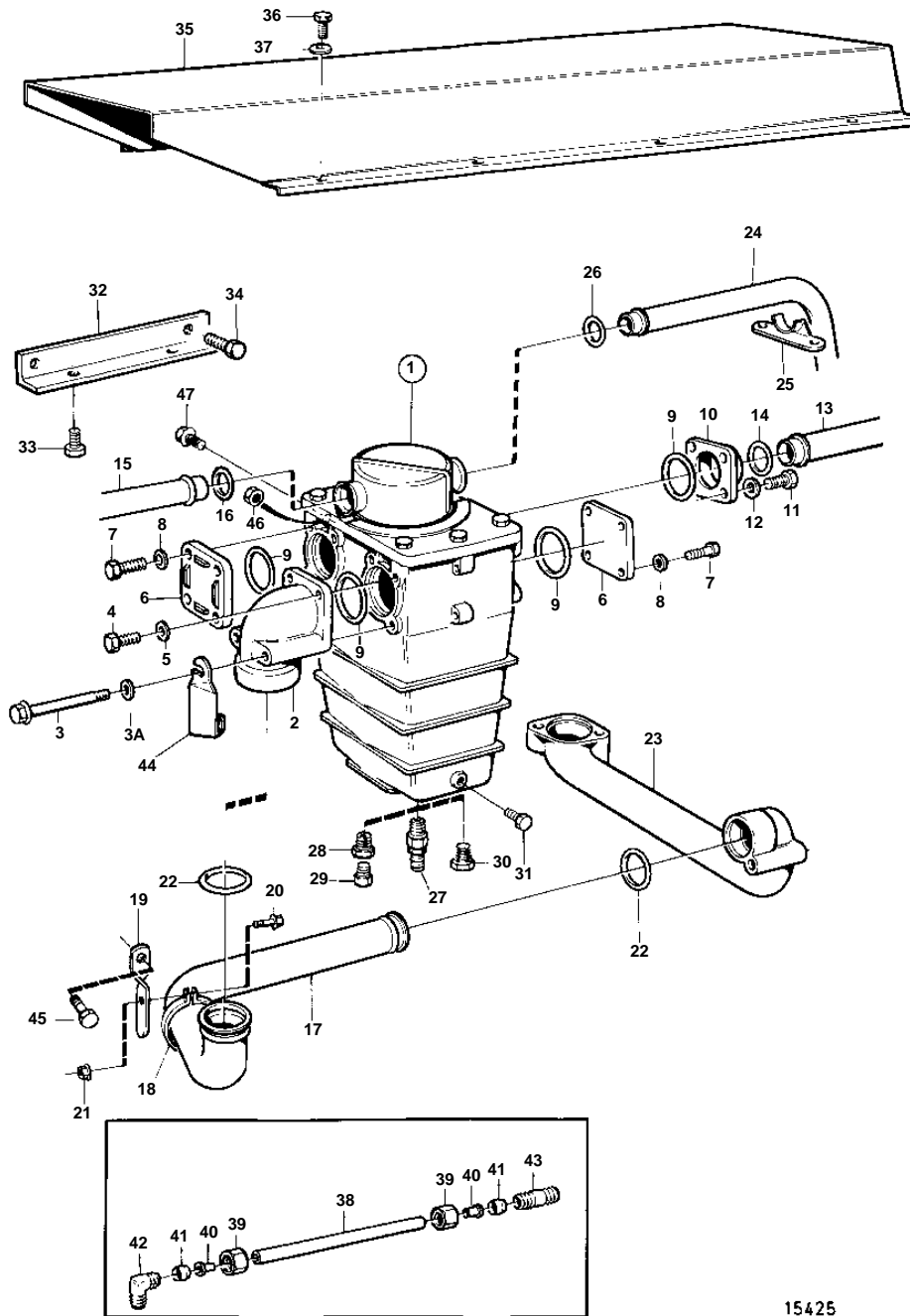


TAMD61A, TAMD62A



15425

TAMD61A, TAMD62A

REF	PART NO.	QTY	DESCRIPTION	SEE SEC.	NOTES
1	847580	1	Heat exchanger		REPLACED BY 864916
				706	
	864916	1	Heat exchanger, classifiable		As a spare part a classified heat exchanger is obtained.
				706	
2	471709	1	Connection pipe		
3	965183	2	Flange screw		
3A	11978	2	Washer		
4	946671	2	Flange screw		
5	941907	2	Spring washer		
6	847619	2	Cover		
7	955295	8	Screw		
8	941907	8	Spring washer		
9	925094	4	O-ring		
10	847670	1	Flange		
11	955297	4	Screw		
12	941907	4	Spring washer		
13	848476	1	Coolant pipe		Thermostat housing-heat exchanger.
14	466740	1	Sealing ring		
15	864970	1	Coolant pipe		Heat exchanger-after cooler
16	466739	1	Sealing ring		
17	848480	1	Coolant pipe		EARLY TYPE. Replaced by 1 ea cooling water pipe 865960, 1 ea bracket 865864, 1 ea hose clamp 945734, 1 ea screw 946544, and 1 ea nut 945407.
	865960	1	Coolant pipe		LATE TYPE
18	945734	1	Clamp		
19	865864	1	Bracket		
20	946544	1	Flange screw		
21	945407	1	Flange nut		
22	864723	2	Sealing ring		
23		1	Coolant pipe	498	
24	864974	1	Coolant pipe		Sea water pump-heat exchanger.
25	864918	2	Retainer		
26	466739	1	Sealing ring		
27		1	Drain cock		Replaced by plug 3825335.
28	332262	1	Nipple		Replaced by plug 3825335.
29	861551	1	Plug		(192134). Replaced by plug 3825335.
30	3825335	1	Plug		(978904)
31	479979	1	Plug		(191026)
32	848101	1	Bracket		
33	946173	2	Flange screw		
34	955294	4	Screw		
35	865558	1	Cover		
36	967949	4	Screw		
37	949607	4	Spring washer		
38	945460	X	Plastic pipe		L=250mm
39	954356	2	Cap nut		
40	944717	2	Sleeve		
41	954364	2	Fitting		
42	479958	1	Elbow nipple		(329638)
43	326870	1	Nipple		
44	849449	1	Bracket		
45	946440	1	Flange screw		
46	946036	2	Lock nut		
47	945444	2	Flange screw		