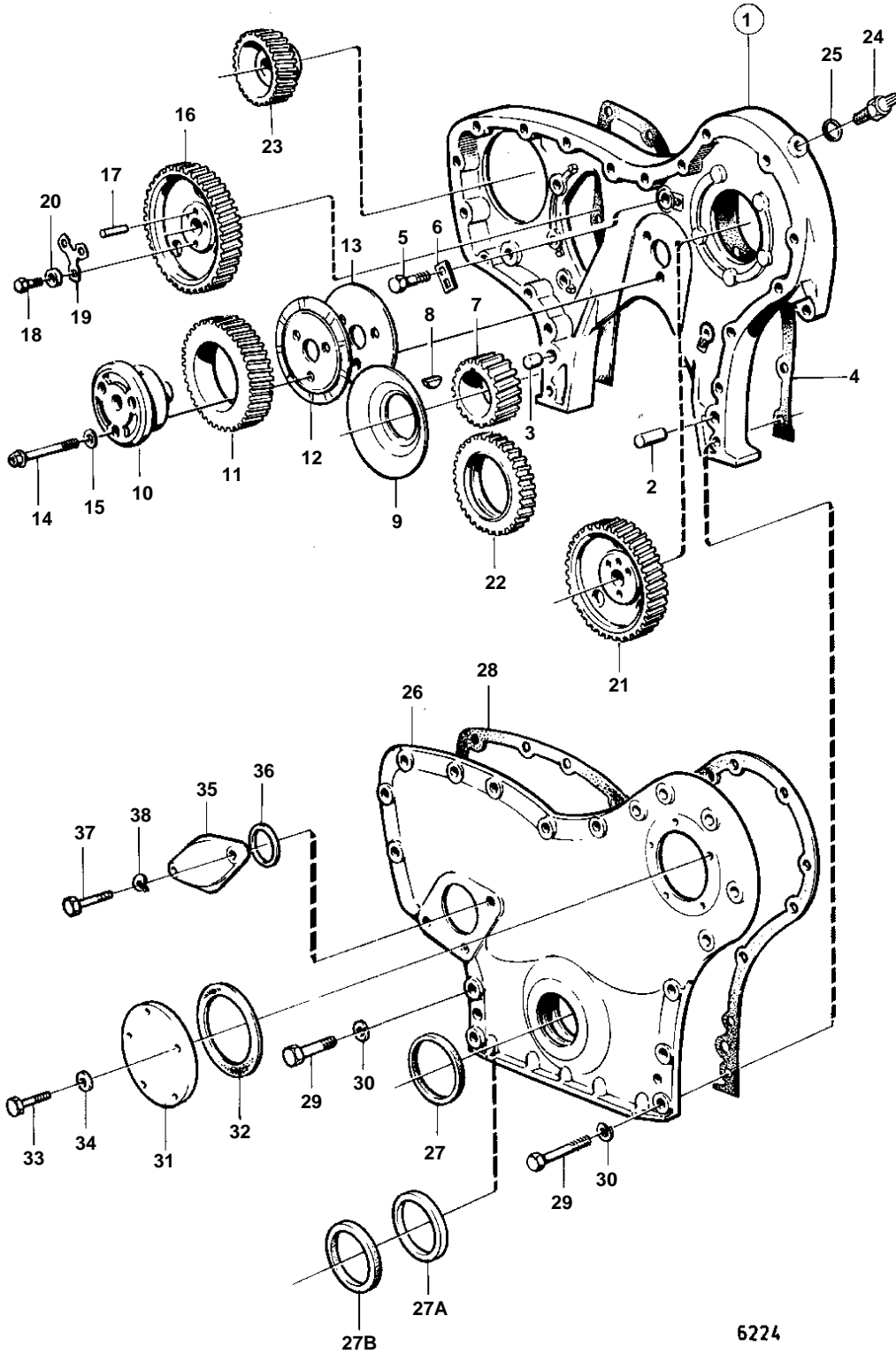


TAMD60A,TAMD60B



6224

TAMD60A,TAMD60B

REF	PART NO.	QTY	DESCRIPTION	SEE SEC.	NOTES
1	465257	1	Timing gear casing		
2	941511	1	Pin		
3	941510	1	Pin		
4	421057	1	Gasket	IK	
5	955525	5	Screw		
6	941571	5	Lock washer		
7	421080	1	Crankshaft gear		02A-0475
8	422253	1	Woodruff key		02A-0475
9	420172	1	Oil deflector		02A-0475
10	467463	1	Bearing spindle		
11	467461	1	Drive		
			Bulletin 45-01	45-01-EN	Timing Gears, 71, 100, 121
12	467529	1	Thrust washer		
13	467528	1	Bearing shield		
14	422316	3	Screw		
15	942180	3	Washer		
16	421079	1	Gear		02A-0625
17	950588	1	Pin		02A-0625
18	940128	3	Screw		02A-0625
19	467052	1	Lock washer		
20	467055	3	Washer		
21	842467	1	Gear		SEE GROUP 2C
22	421046	1	Drive	02A-1900	
23	820637	1	Gear		SEE GROUP 2B
24	354671	1	Tachometer sensor		(354671)
25	925059	1	O-ring		SEE GROUP 3
26	4773577	1	Cover, COVER		(465055)
					MO-44113/XXXXX
	4773577	1	Cover		MO44114/XXXXX-
27	421131	1	Sealing ring	IK	MO-44113/XXXXX
27A	471055	1	Sealing ring		MO44114/XXXXX-
27B	942083	1	Seal		MO44114/XXXXX-
28	465056	1	Gasket	IK	
29	955530	7	Screw		L = 83 MM
	955526	1	Screw		L = 51 MM
	940186	10	Screw		L = 38 MM MO-44113/XXXXX
	940186	7	Screw		L = 38 MM MO44114/XXXXX-
	955526	3	Screw		L = 51 MM MO44114/XXXXX-
30	941907	18	Spring washer		
31	420185	1	Hatch		
32	423123	1	Sealing ring	IK	
33	940094	5	Screw		
34	941906	5	Spring washer		
35	465735	1	Cover		(465057)
36	465058	1	Seal	IK	
37	955535	1	Screw		L = 32 MM
	955539	1	Screw		L = 64 MM
38	942336	2	Spring washer		