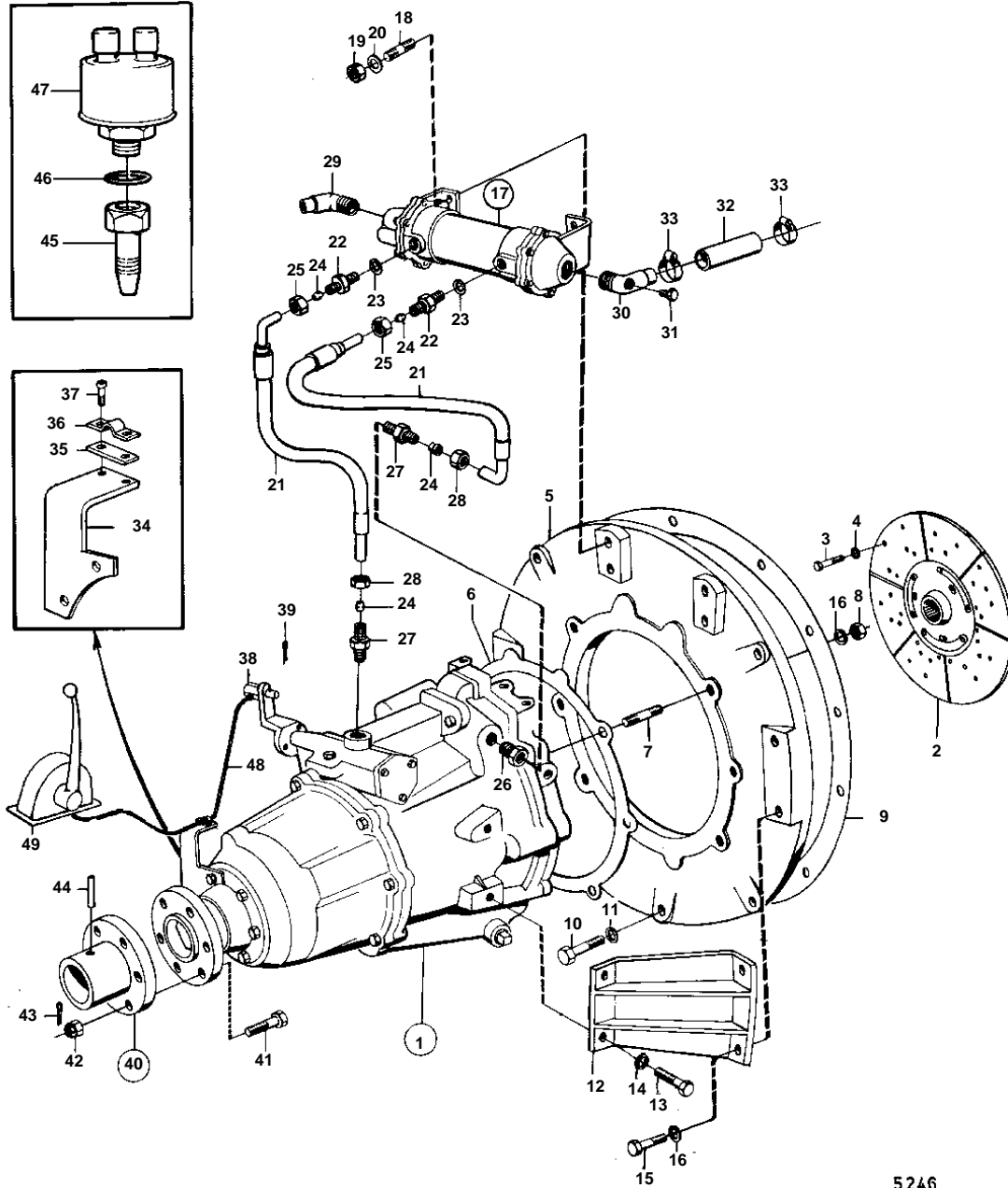


TAMD60A,TAMD60B



5246

TAMD60A,TAMD60B

REF	PART NO.	QTY	DESCRIPTION	SEE SEC.	NOTES
1		1	REVERSE GEAR		
		1	REVERSE GEAR		OPPOSITE REVOLUTION IN RELATION TO ENGINE.
			COMPONENTS		BW AS7-73CR RATIO 2:1
2	809459	1	Vibration damper		
3	20463	8	Screw		
4	955950	8	Lock washer		
5	803901	1	Connection flange		
6	803921	1	Gasket		
7	953533	6	Stud		
8	940157	6	Nut		
9	800751	1	Gasket		
10	955535	8	Screw		
11	942336	8	Spring washer		
12	822676	2	Bracket		
13	955536	4	Screw		
14	942336	4	Spring washer		
15	940134	4	Screw		
16	941909	10	Spring washer		
17	804472	1	Oil cooler		
				04A-0650	
18	953043	4	Stud		
19	955782	4	Nut		
20	941907	4	Spring washer		
21	829259	2	Hose		
22	943755	2	Fitting		
23	957184	2	Washer		
24	956970	4	Ferrule		
25	941331	2	Nut		
26	804533	1	Nipple		
27	941750	2	Nipple		
28	956984	2	Nut		
29	836759	1	Hose attachment		
30	942334	1	Hose attachment		
31	192134	1	Plug		
32	13430	X	Rubber hose		L = 60 MM
33	943475	2	Hose clamp		
34	824120	1	Bracket		
35	819068	1	Washer		
36	819067	1	Brace		
37	950021	2	Screw		
38	813674	1	Cube		
39	17276	1	Cotter pin		
40	822659	1	Companion flange		
41	955710	6	• Screw		
42	955884	6	• Nut		
43	907849	6	• Cotter pin		
44	17178	1	• Pin		
45	842522	1	Nipple		
46	957181	1	Gasket		
47	837781	1	Pressure sensor		SEE GROUP 3
48			CONTROL CABLE		SEE GROUP 9
49			CONTROL		SEE GROUP 9