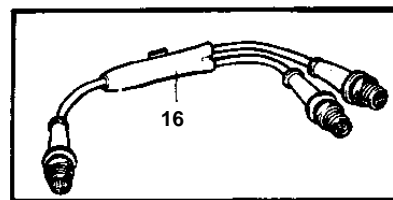
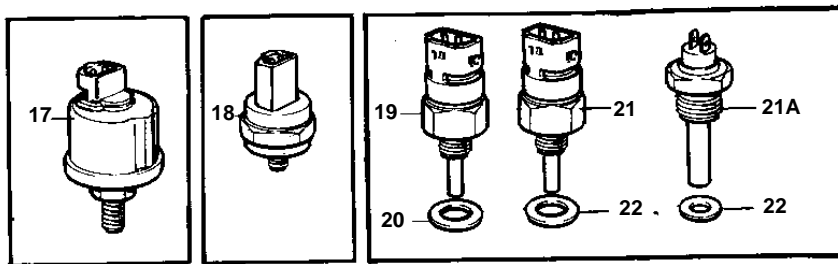
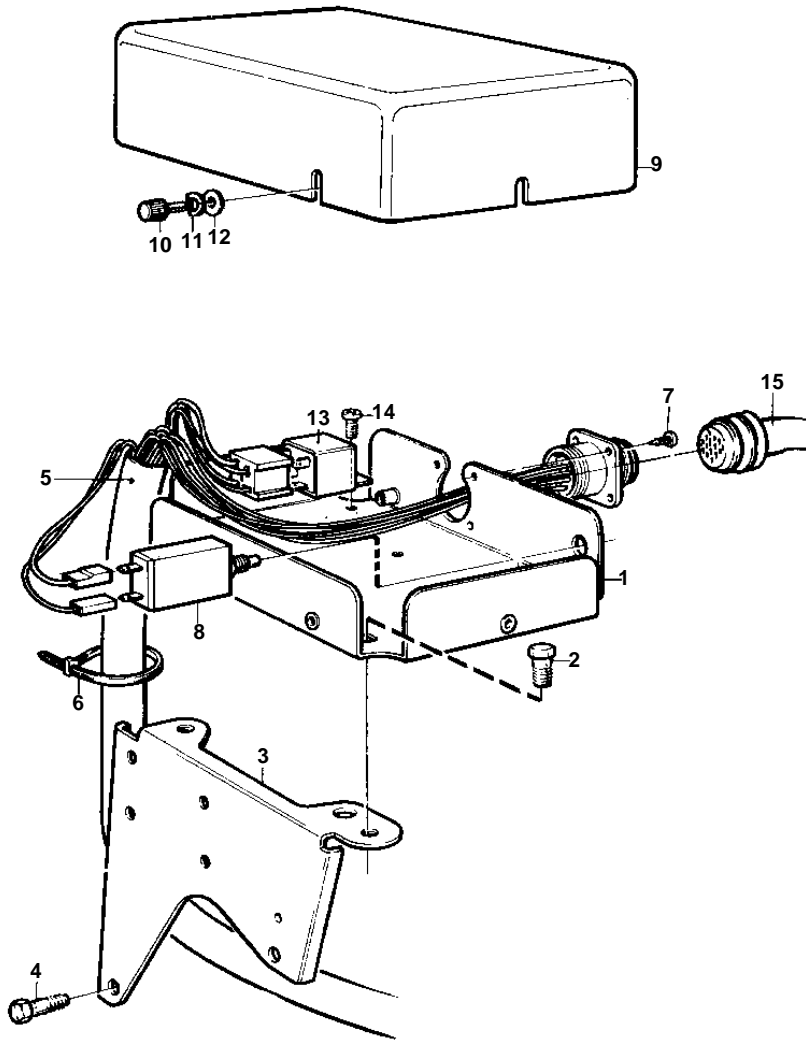


TAMD42B



15146

TAMD42B

REF	PART NO.	QTY	DESCRIPTION	NOTES
1	860417	1	Bracket	
2	965175	2	Screw	
3	860611	1	Bracket	
4	947760	1	Flange screw	L=40mm
	948217	1	Flange screw	L=45mm
5	873552	1	Wiring harness	(873056)
6	948210	X	Strip clamp	
7	955119	4	Screw	
8	966689	2	Fuse	
9	860779	1	Cover	
10	846736	3	Lock screw	
11	941904	3	Spring washer	
12	960137	3	Washer	
13	860339	1	Relay	12V 50A
	872300	1	Relay	(853545) 12V 30A
14	955138	2	Screw	
15	846648	1	Extension cable	L=3,0m
	846649	1	Extension cable	L=5,0m
	846650	1	Extension cable	L=7,0m
16	1140598	X	Y-koppling	For double steering positions.
17	866835	1	Pressure sensor	0-10bar
18	863169	1	Pressure monitor, oil pressure	0,7bar
19	862250	1	Thermo monitor, coolant water temp.	
20	957181	1	Gasket	
21	862154	1	Temperature sensor, coolant water temp.	EARLY TYPE
21A	843325	1	Temperature sensor, coolant water temp.	LATE TYPE
22	957181	1	Gasket	