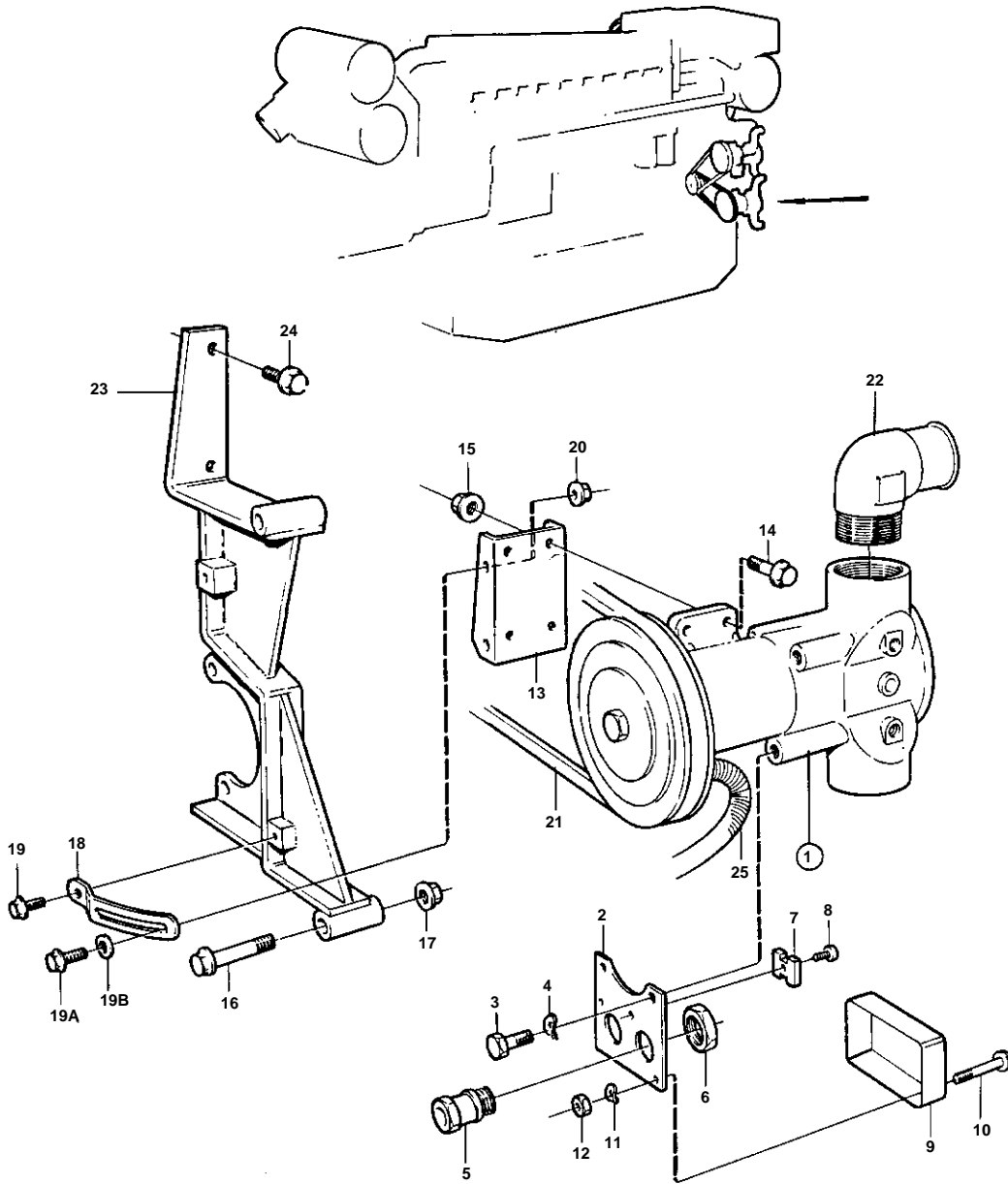


TAMD165C-A, TAMD165A-A, TAMD165P-A



15791

TAMD165C-A, TAMD165A-A, TAMD165P-A

REF	PART NO.	QTY	DESCRIPTION	SEE SEC.	NOTES
1	846105	1	Water pump		
				1014	
2		1	Bracket		
3	955525	2	Screw		
4	941907	2	Spring washer		
5	881192	1	Cable union		12,5-15,0mm
	822327	1	Cable union		8,5-11,5mm
6	880243	2	Nut		
7	926219	1	Coupling piece		
8		1	ScrewM3x16mm		
9	837392	1	Cover		
10	956301	2	Screw		
11	941905	2	Spring washer		
12	955780	2	Nut		
13	847950	1	Bracket		
14	946472	4	Screw		
15	971095	4	Nut		
16	965190	1	Screw		
17	971095	1	Nut		
18	840247	1	Tensioner		
19	946173	1	Flange screw		L=20mm
19A	945444	1	Flange screw		L=25mm
19B	976944	1	Washer		(966674)
20	945408	1	Flange nut		(968862)
21	846361	1	V-belt		
22	813644	2	Hose attachment		
23	849367	1	Bracket		
24	948217	2	Flange screw		
25		X	Electrical materials	1963	