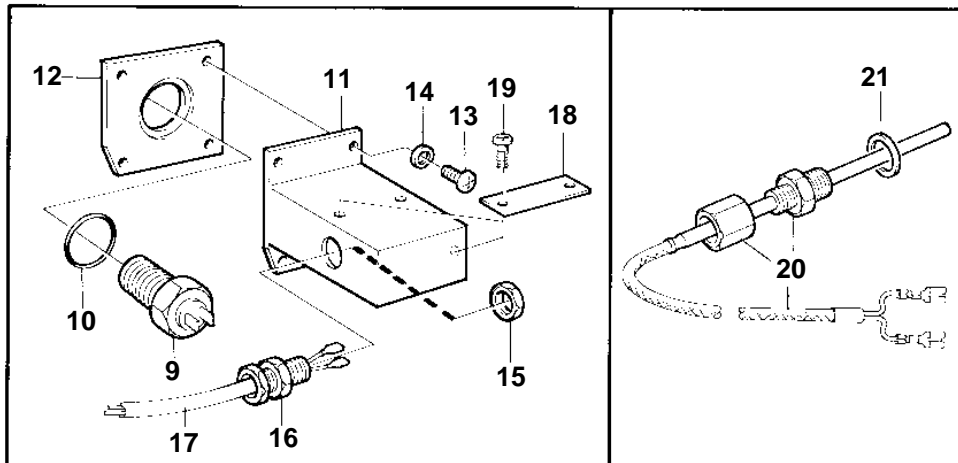
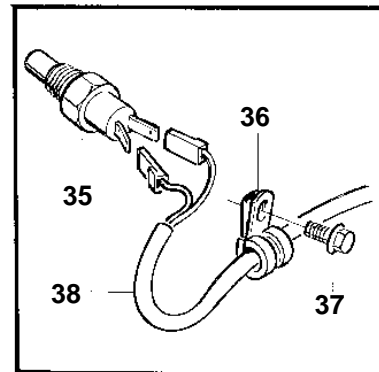
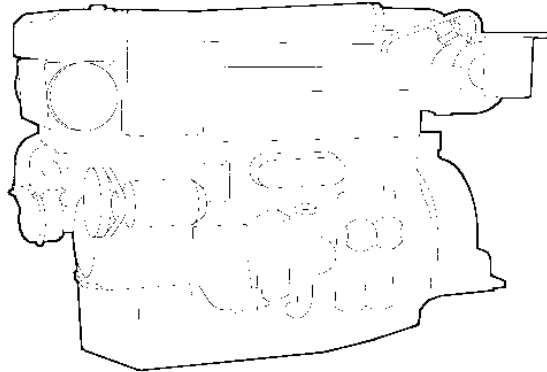
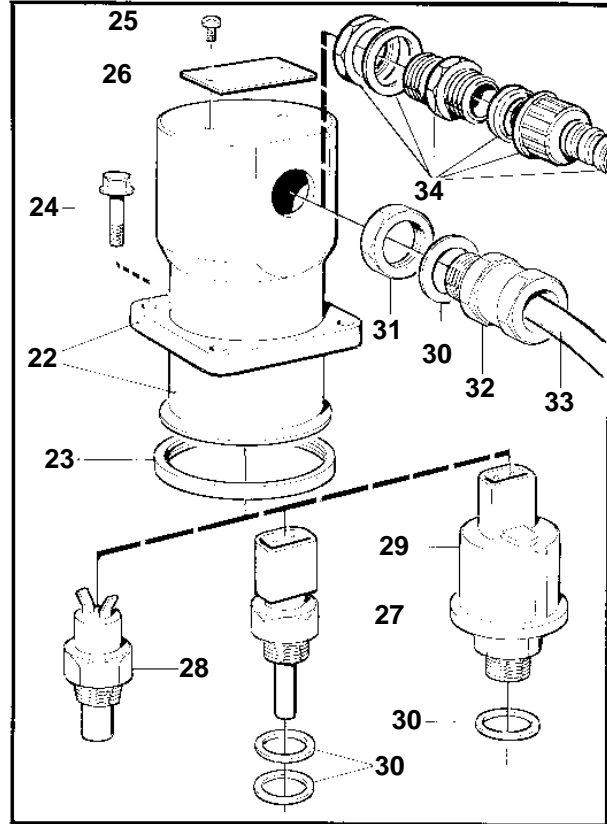
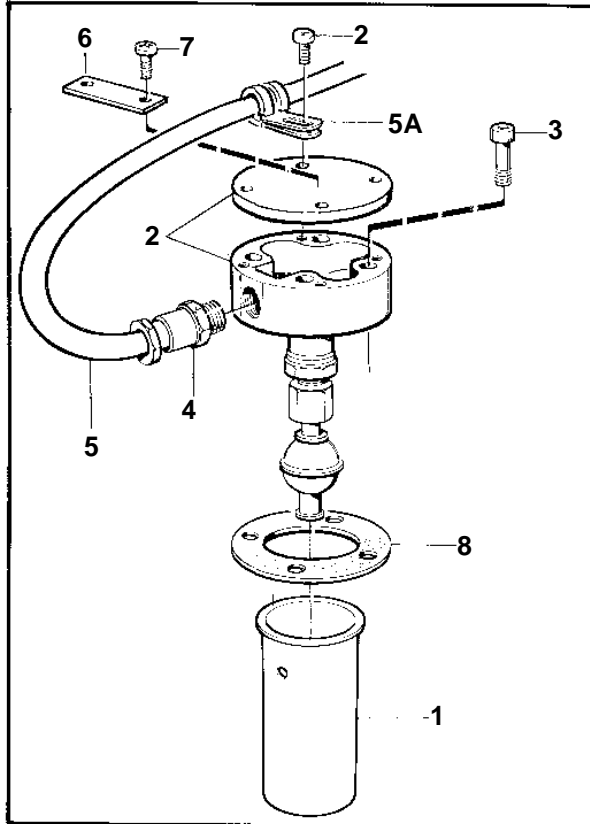


TAMD165C-A, TAMD165A-A



16385

TAMD165C-A, TAMD165A-A

REF	PART NO.	QTY	DESCRIPTION	SEE SEC.	NOTES
1	863711	1	Tube		
2	872315	1	Level guard, expansion tank		
3	941460	4	Screw		
4	881191	1	Cable union		
5	862989	X	Cable		2x1,5 sq.mm, L=2075mm. Non reinforced ship cable approved by classification societies.
5A	952625	1	Clamp		
6		1	Signwater level		
7	955113	2	Screw		
8	863715	1	Gasket		
9	1502028	2	Tachometer sensor		
10	949656	2	O-ring		
11	843102	2	Box		
12	843103	2	Attaching plate		
13	956060	4	Screw		
14	941904	4	Spring washer		
15	880243	2	Nut		
16	881192	2	Cable union		
17	863657	X	Cable		Reinforced ship cable approved by classification societies.
18		2	Signtacho send-pickup safe		
19	955113	4	Screw		
20	862857	1	Temperature sensor, exhaust		
21	947626	1	Gasket		
22	849670	5	Protecting casing		
23	843584	5	Sealing ring		
24	946173	X	Flange screw		L=20mm
	965215	X	Screw		L=22mm
	945444	X	Flange screw		L=25mm
25	955113	10	Screw		
26		5	Sign		
27	862154	1	Temperature sensor, coolant water		
	862567	1	Temperature sensor, coolant water		DUAL STAION. For double instruments.
	862627	1	Temperature sensor, oil-engine		
	862643	1	Temperature sensor, oil-engine		DUAL STAION. For double instruments.
28	823747	1	Thermo monitor, coolant water		ALARM
	822858	1	Thermo monitor, coolant water		STOP
29	866837	1	Pressure sensor, turbo		
30	11998	X	Gasket		
31	880244	4	Nut		
32	881191	4	Cable union		
33	862989	X	Cable		2x1,5 sq.mm. Non reinforced ship cable approved by classification societies.
34	872678	1	Wiring harness		Electrical box- sea water- fresh water- reverse gear-turbo pressure.
35	822859	1	Thermo monitor, charge air temp-keel cool		
36	942400	1	Clamp, intercooler		
37	946440	1	Flange screw, intercooler		
38	862989	1	Cable		2x1,5 sq.mm. Non reinforced ship cable approved by classification societies.
		X	Electrical materials	1963	