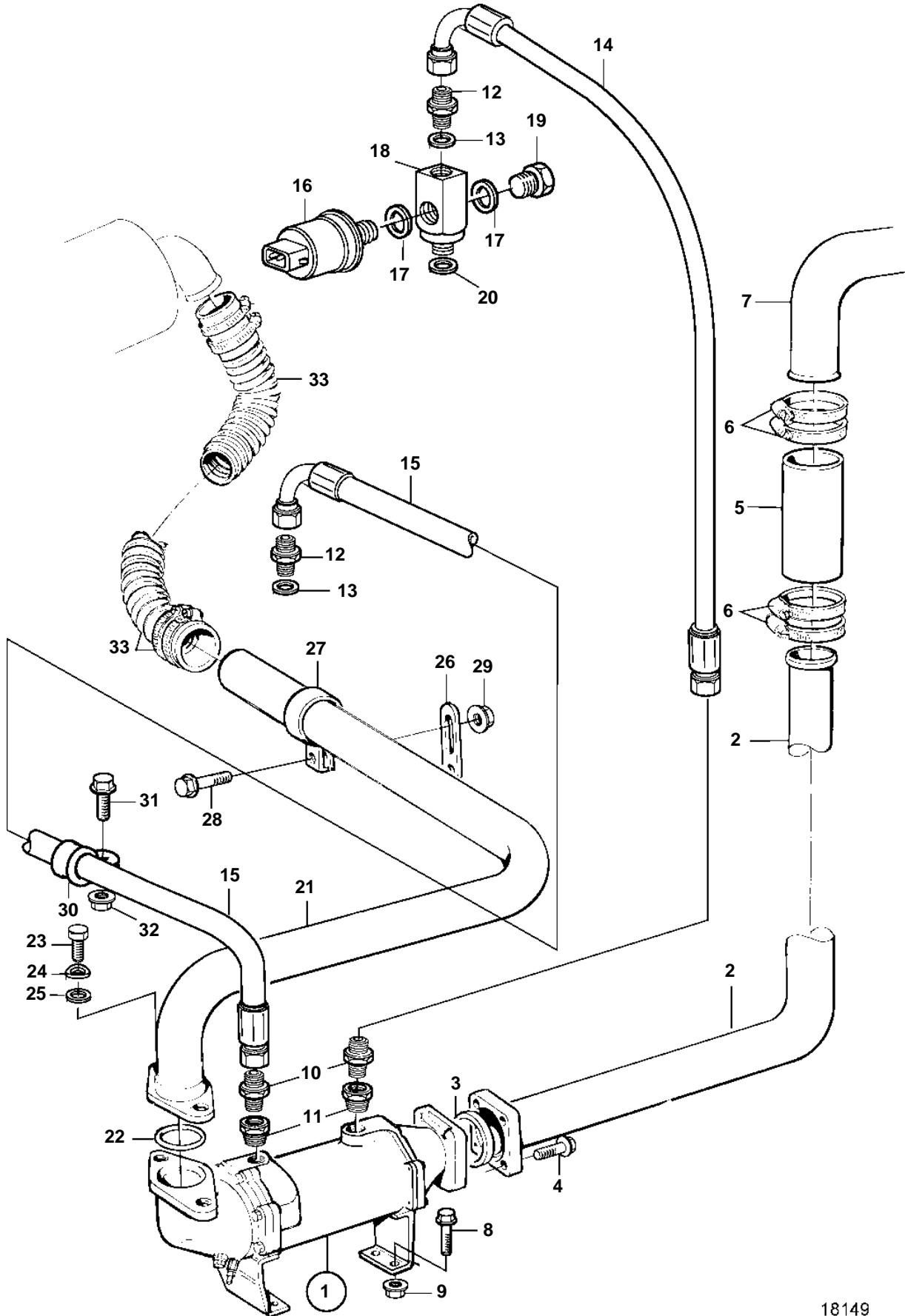


TAMD163P-A



18149

## TAMD163P-A

REF	PART NO.	QTY	DESCRIPTION	SEE SEC.	NOTES
1		1	Oil cooler		
				1369	
2	866774	1	Coolant pipe		
3	843584	1	Sealing ring		
4	946173	4	Flange screw		
5	952980	X	Rubber hose		L=130mm
6	961673	4	Clamp		
7		1	Coolant pipeheat exchanger	1899	
8	946472	4	Screw		
9	971095	4	Nut		
10	968132	2	Nipple		
11	949707	2	Nipple		
12	941751	2	Nipple		
13	976932	2	Gasket		
14	3828374	1	Oil hose		L=350mm
15	3828375	1	Oil hose		L=735mm
16	866839	1	Pressure sensor, oil		
17	976931	2	Gasket		
18	3828349	1	Nipple		
19	960632	1	Plug		
20	948885	1	Gasket		
21	863453		Coolant pipe		
22	925092	1	O-ring		
23	940135	2	Screw		
24	941907	2	Spring washer		
25	191172	2	Washer		
26	965535	2	Bracket		
27	32447	2	Clamp		
28	946671	2	Flange screw		
29	945408	2	Flange nut		
30	949746	1	Clamp		
31	945444	1	Flange screw		
32	945408	1	Flange nut		
33		1	Connectorexhaust pipe elbow	1206	