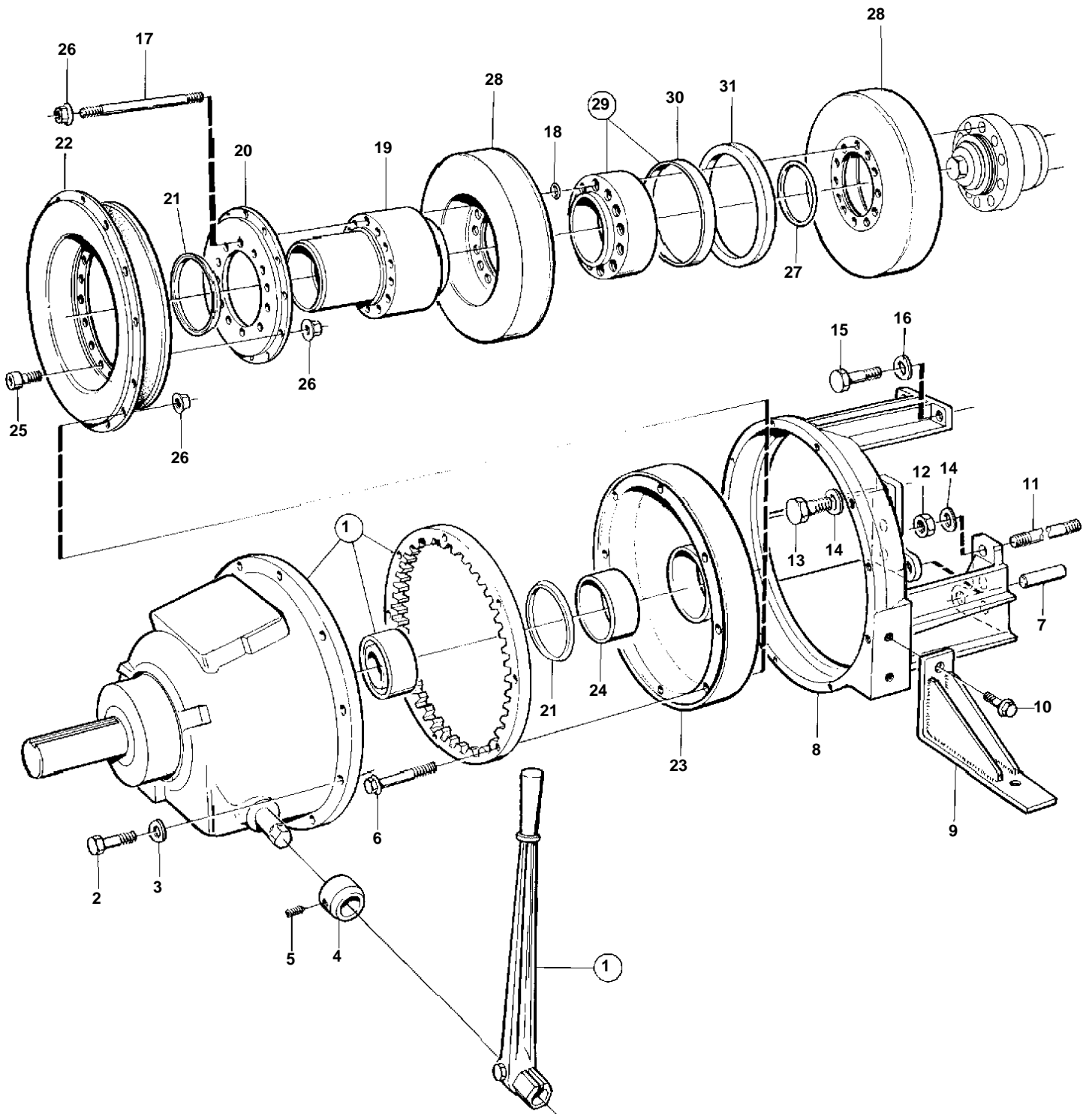


TAMD162C-C, TAMD163A-A



16354

## TAMD162C-C, TAMD163A-A

REF	PART NO.	QTY	DESCRIPTION	SEE SEC.	NOTES
1	845705	1	Clutch, straight stub shaft		SP 211 HP3
				2446	
	849223	1	Clutch, hydraulic pump		SL 211-PM3, SAE-D
2	940115	12	Screw		
3	942336	12	Spring washer		
4	803612	2	Stop ring		
5	946847	4	Screw		
6	968237	8	Flange screw		
7	191171	2	Pin		
8	3825915	1	Bell housing		
9	849098	2	Bracket		
10	946329	4	Flange screw		
11	968684	5	Stud		
12	971073	5	Nut		
13	970995	1	Screw		
14	941911	6	Spring washer		
15	970973	2	Screw		
16	940280	2	Spring washer		
17	980558	12	Stud		
18	925054	12	O-ring		
19	3825589	1	Shaft		
20	3825587	1	Spacer		
21	965872	2	Sealing ring		
22	3825593	1	Clutch		
23	3825588	1	Companion flange	SO	
24	863602	1	Bearing bushing		
25	959236	16	Screw		
26	971098	36	Flange lock nut		
27	945512	1	O-ring		
28	1543834	2	Vibration damper		
29	3825949	1	Spacer		
30	3829683	1	Wear ring		
31	3825169	1	Sealing ring, timing gear cover		