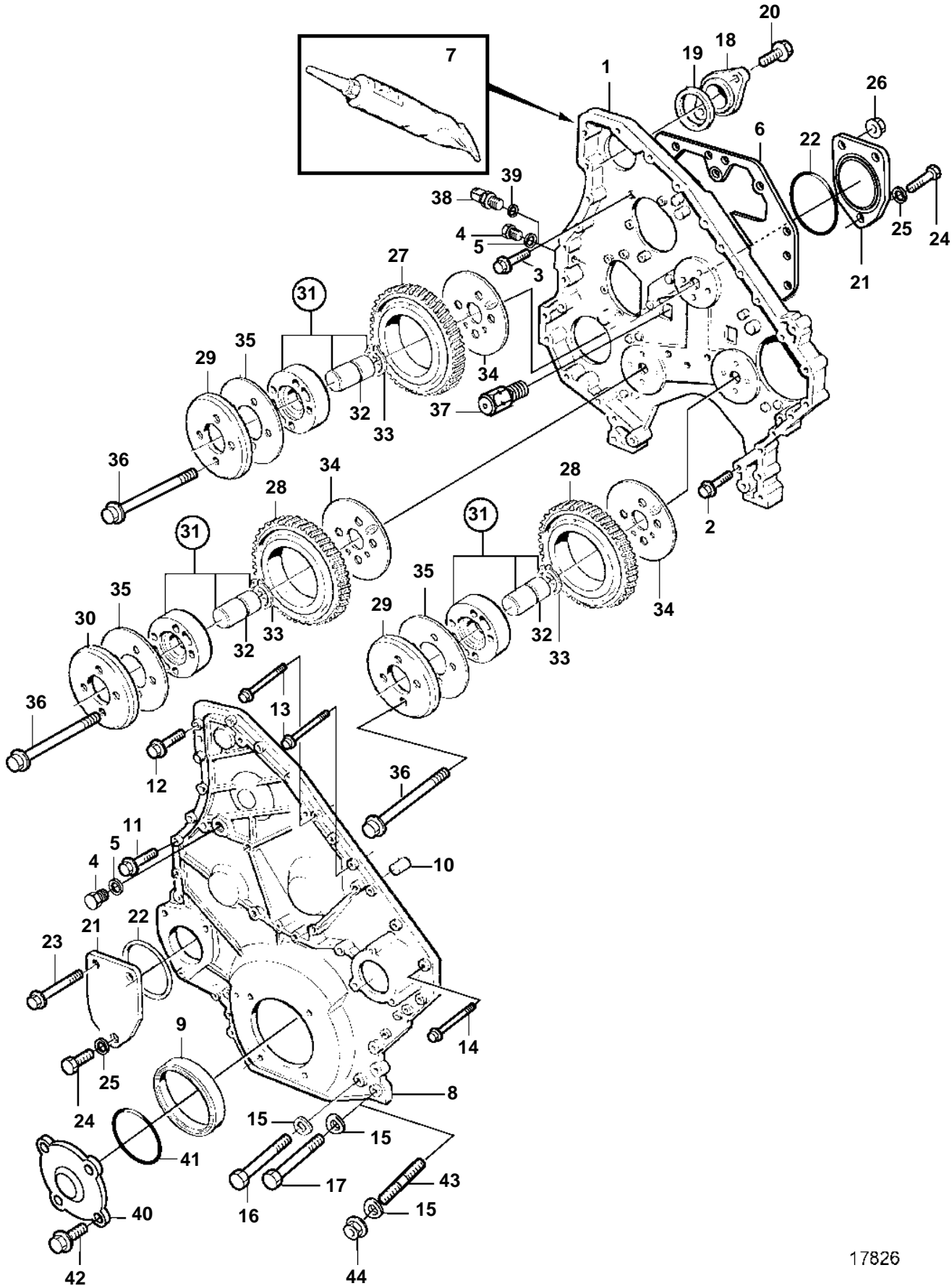


TAMD162A, TAMD162B, TAMD162C, TAMD162C-B



17826

TAMD162A, TAMD162B, TAMD162C, TAMD162C-B

REF	PART NO.	QTY	DESCRIPTION	SEE SEC.	NOTES
1	1543510	1	Timing gear casing		
2	978267	1	Screw		
3	978266	18	Screw		
4	960632	2	Plug		
5	947624	2	Gasket		
6		1	Gasket		REPL BY 1161277
7	1161277	X	Sealant		10g
	1161231	X	Sealant		304ml
8	848784	1	Timing gear cover		
9	3825169	1	Sealing ring		To be used when belt-pulley alternative power-take-off is installed.
10	848843	1	Guide sleeve		
11	946470	5	Flange screw		M8x35mm
12	947760	13	Flange screw		M8x40mm
13	965182	2	Flange screw		M8x80mm
14	947790	4	Flange screw		M10x80mm
15	941911	7	Spring washer		
16	971010	2	Screw		M14x130mm
17	971012	5	Screw		M14x150mm
18	468093	1	Cover, hydraulic pump		
19	468094	1	Sealing ring		
20	946329	2	Flange screw		(973083)
21	420178	2	Cover, seawater p+power take of		
22	975610	2	O-ring		
23	966368	2	Flange screw		L=110mm
24	970993	2	Screw		L=25mm
25	941911	2	Spring washer		
26	971097	2	Nut		
27	1543897	1	Idler gear, upper		
28	1543917	2	Idler gear		
29	1543901	2	Bearing shield		TH=5,5mm
30	1556593	1	Bearing shield, idler gear-fuel inj pump		TH=7mm,YELLOW MARKED
31	1543799	3	Spindle		
32	1543597	3	· Pin		
33	914459	3	· Lock ring		
34	1543598	3	Thrust washer		
35	1543900	3	Thrust washer		
36	471513	12	Screw		
37	862922	1	Nozzle, cylinder block		
38	1502028	1	Tachometer sensor		For classified engine or without alternator.
39	949656	1	O-ring		For classified engine or without alternator.
40	849118	1	Cover		Not TAMD162C-B SNXXXXXXXXXX/23108-
41	925271	1	O-ring		Not TAMD162C-B SNXXXXXXXXXX/23108-
42	946173	4	Flange screw		
43		5	Studengine mounts	1205	
44		5	Nutengine mounts	1205	