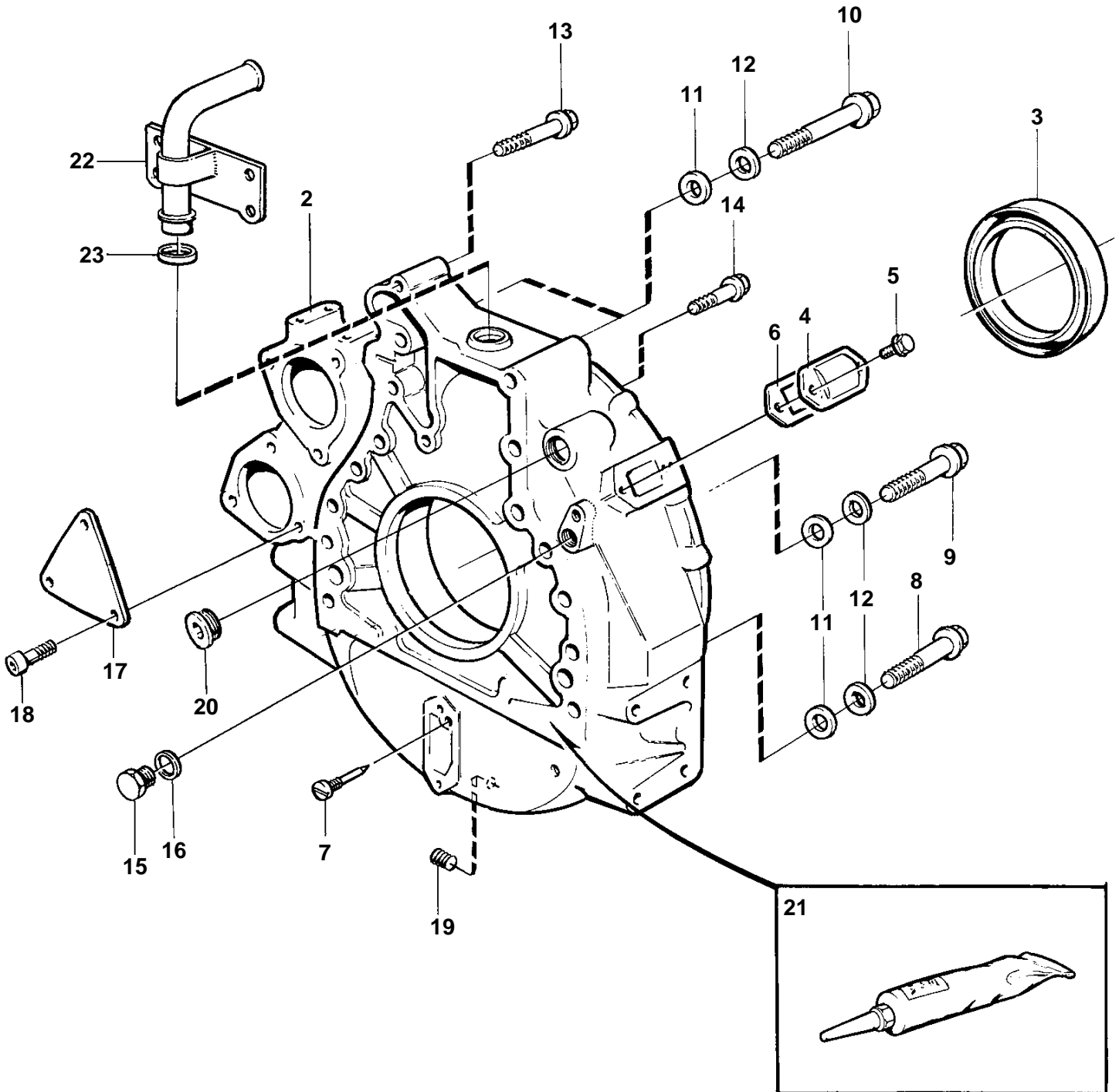


TAMD162A, TAMD162B, TAMD162C, TAMD162C-B

1



## TAMD162A, TAMD162B, TAMD162C, TAMD162C-B

REF	PART NO.	QTY	DESCRIPTION	SEE SEC.	NOTES
1	11032003	1	Flywheel housing		SN-XXXXXXXXXX/17139. Replaced by 1 ea 11032061 flywheel housing and 1 ea 1543896 sealing ring.
	11032062	1	Flywheel housing		SNXXXXXXXXXX/17140-. Replaced by 1 ea 11032061 flywheel housing and 1 ea 1543896 sealing ring.
2	11032061	1	· Flywheel housing		
3	1543896	1	· Sealing ring		
4	4772168	2	Cover		
	4772169	1	Cover, impulse sensor		
5	946934	4	Flange screw		
6	4804167	2	Gasket		
7	1543173	1	Setting indicator		(4772141)
8	971005	2	Screw		L=80mm
9	971003	10	Screw		L=70mm
10	971008	2	Screw		L=110mm
11	955899	14	Washer		
12	941911	14	Spring washer		
13	965181	1	Screw		L=70mm
14	947760	1	Flange screw		L=40mm
15	180761	1	Plug		SNXXXXXXXXXX/17140-
16	11996	1	Gasket		SNXXXXXXXXXX/17140-
17	849135	1	Cover		
18	959253	3	Allen head screw		
19	968145	1	Plug		
20	467367	1	Plug		
21	1161231	X	Sealant		304ml
	1161277	X	Sealant		10g
22		1	Crankcase ventilatio	1089	
23	421158	1	Sealing ring	1089	