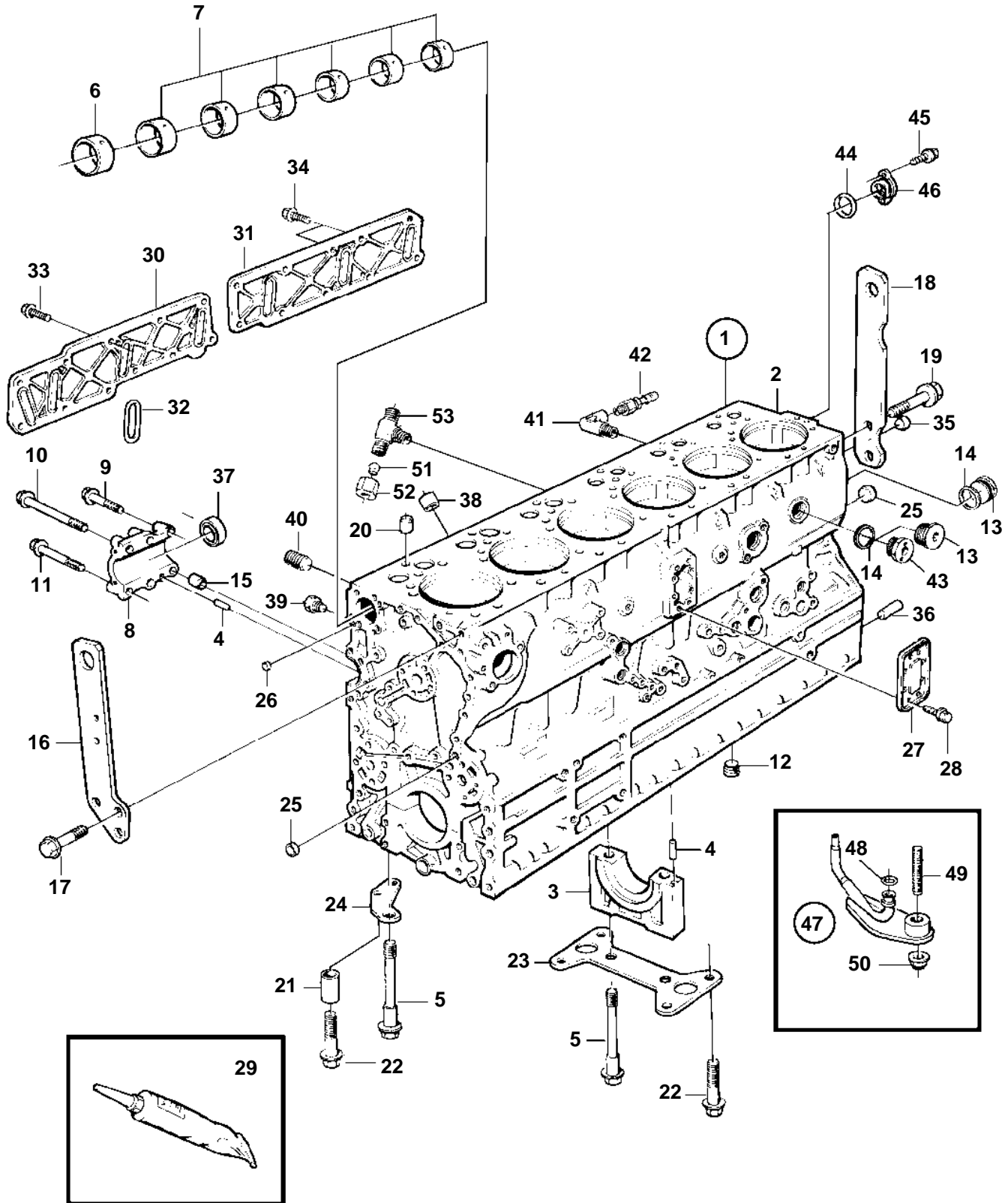


TAMD162A, TAMD162B, TAMD162C, TAMD162C-B



17705

TAMD162A, TAMD162B, TAMD162C, TAMD162C-B

REF	PART NO.	QTY	DESCRIPTION	SEE SEC.	NOTES
1	1543000	1	Cylinder block		
2		1	· Cylinder block		
3		7	· Main bearing cap		
4	422426	8	· Pin		
5	1543412	14	· Flange screw		
6	1556514	1	· Bushing		
7	1556515	6	· Bushing		
8	1543491	1	· Cap		
9	965186	4	· Flange screw		L=50mm
10	965189	1	· Flange screw		L=90mm
11	965188	1	· Screw		L=70mm
12	952079	1	· Plug, 1 NPTF		
13	467367	2	· Plug		EARLY TYPE
	467367	4	· Plug		LATE TYPE
14	1556907	2	· Gasket		EARLY TYPE
	1556907	4	· Gasket		LATE TYPE
15	1543693	1	· Guide sleeve		
16		1	Lift ironfront		
17	965191	3	Screw		
18		1	Lift ironrear		
19	968436	2	Flange screw		
20	1543693	6	Guide sleeve, cylinder head		
21	1543787	28	Spacer sleeve		
22	965192	28	Flange screw		
23	1556797	5	Stiffening plate		(1543590)
24	1543589	4	Stiffening plate		
25	955083	2	Cap plug		D=14,5mm
26	967853	1	Cap plug		D=10,5mm
27	1543593	1	Cover		
28	967949	8	Screw		(965175)
29	1161231	X	Sealant		304ml
	1161277	X	Sealant		10g
30	1543486	1	Cover plate		
31	1543488	1	Cover plate		
32	469606	7	Sealing ring		
33	945444	17	Flange screw		L=25mm
	946470	1	Flange screw		L=35mm
34	946752	2	Flange screw		L=35mm
35	946778	1	Cap plug		D=17,5mm
36	191171	2	Pin, flywheel cover		
37	1546221	1	Sealing ring		
38	417588	1	Guide sleeve, fuel inj. pump		
39	479979	1	Plug, 1/8-NPTF		
40	968145	1	Plug, 3/8-NPTF		
41	3826916	1	Elbow nipple		(942021)
42	949918	1	Drain cock		
43	848785	1	Nipple, water pipe-turbo		
44	968971	1	O-ring		
45	946173	2	Flange screw		
46	1542242	1	Cover		
47	1543745	6	Jet, piston cooling		SN-XXXXXXXXXX/12628. Replaced by 1 ea 1556430 and 1 ea 1556434.
	1556430	6	Jet, piston cooling		SNXXXXXXXXXX/12629-
48	955981	6	· O-ring		
49	1543749	6	Stud, L=50mm		SN-XXXXXXXXXX/12628
	1556434	6	Stud, L=40mm		SNXXXXXXXXXX/12629-
50	948645	6	Lock nut		
51	943006	1	Plug	1142	
52	954356	1	Cap nut	1142	
53	191936	1	T-pipe, oil pipe-injection pump	1142	