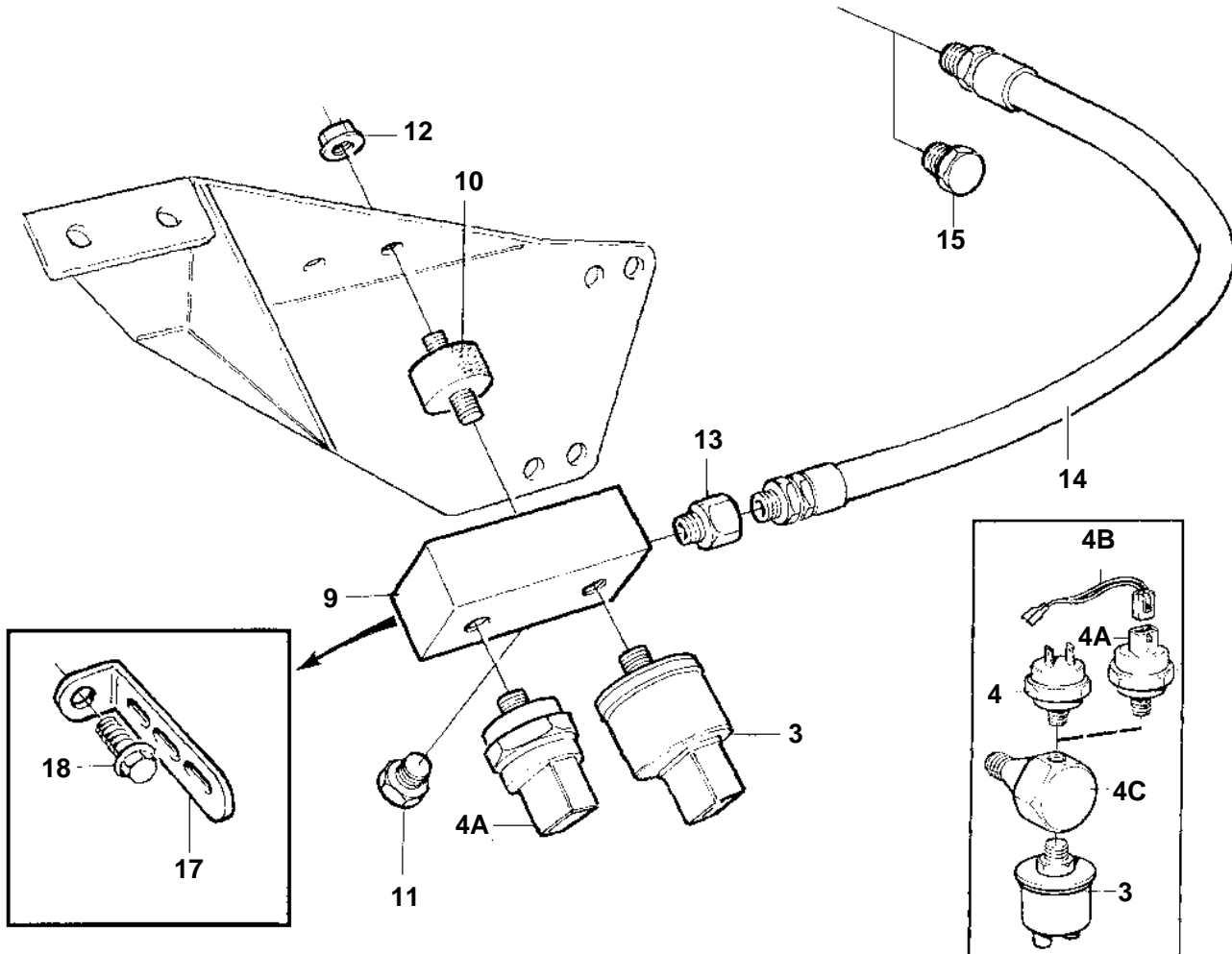
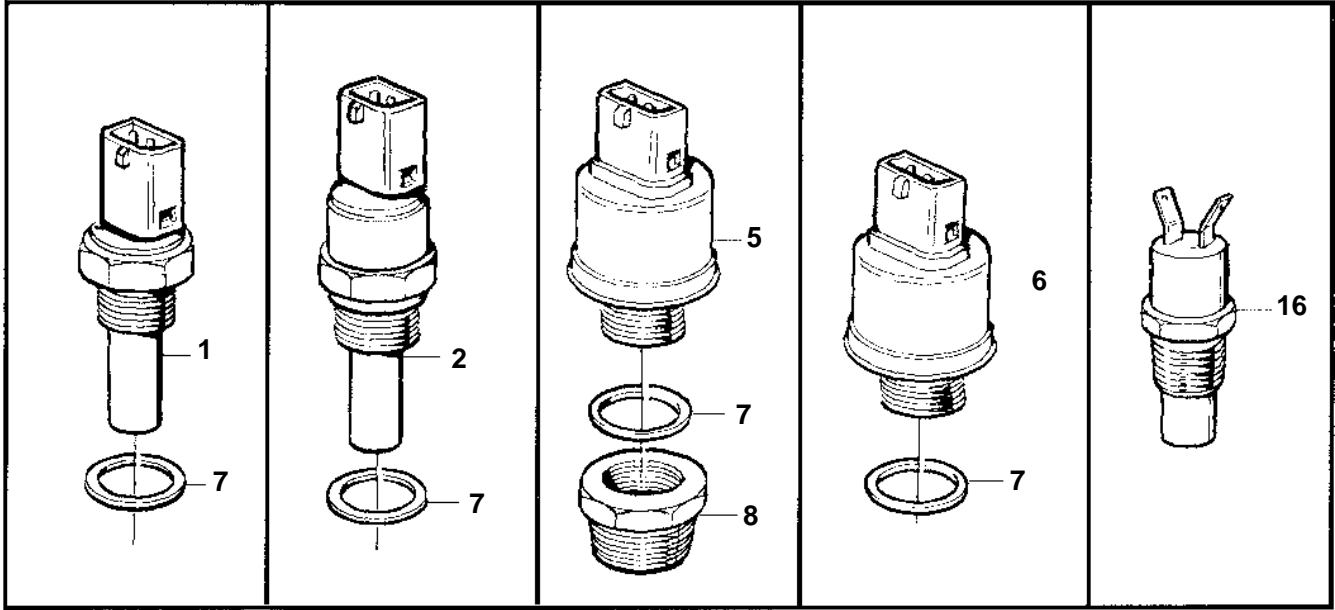


TAMD162A, TAMD162B, TAMD162C, TAMD162C-B



18068

TAMD162A, TAMD162B, TAMD162C, TAMD162C-B

REF	PART NO.	QTY	DESCRIPTION	NOTES
1	862154	1	Temperature sensor, coolant water temp.	
	862567	1	Temperature sensor, coolant water temp.	For double instruments.
2	858229	1	Thermo monitor, coolant water temp.	95°C
3	866835	1	Pressure sensor, oil-engine	
	866836	1	Pressure sensor, oil-engine	For double instruments.
4		1	Pressure monitoroil-engine	EARLY TYPE. Replaced by 1ea pressure monitor 863169 and 1ea cable 873601.
4A	863169	1	Pressure monitor, oil-engine	LATE TYPE
4B	873601	1	Cable	
4C	942490	1	T-nipple	EARLY TYPE
5	866839	1	Pressure sensor, reverse gear	
6	866837	1	Pressure sensor, turbo	
7	11998	X	Gasket	
	947624	X	Gasket	
8	180161	1	Nipple	TWIN DISC MG516
9	866704	1	Bracket	
10	3574797	2	Rubber cushion	
11	479979	1	Plug	
12	949278	2	Lock nut	
13	180009	1	Nipple	
14	1507501	1	Hose, cylinder block	
15	479979	1	Plug, cylinder block	
16	822859	1	Thermo monitor, charge air temp-keel cool	
17	965558	1	Bracket	ALT
18	946440	1	Flange screw	ALT