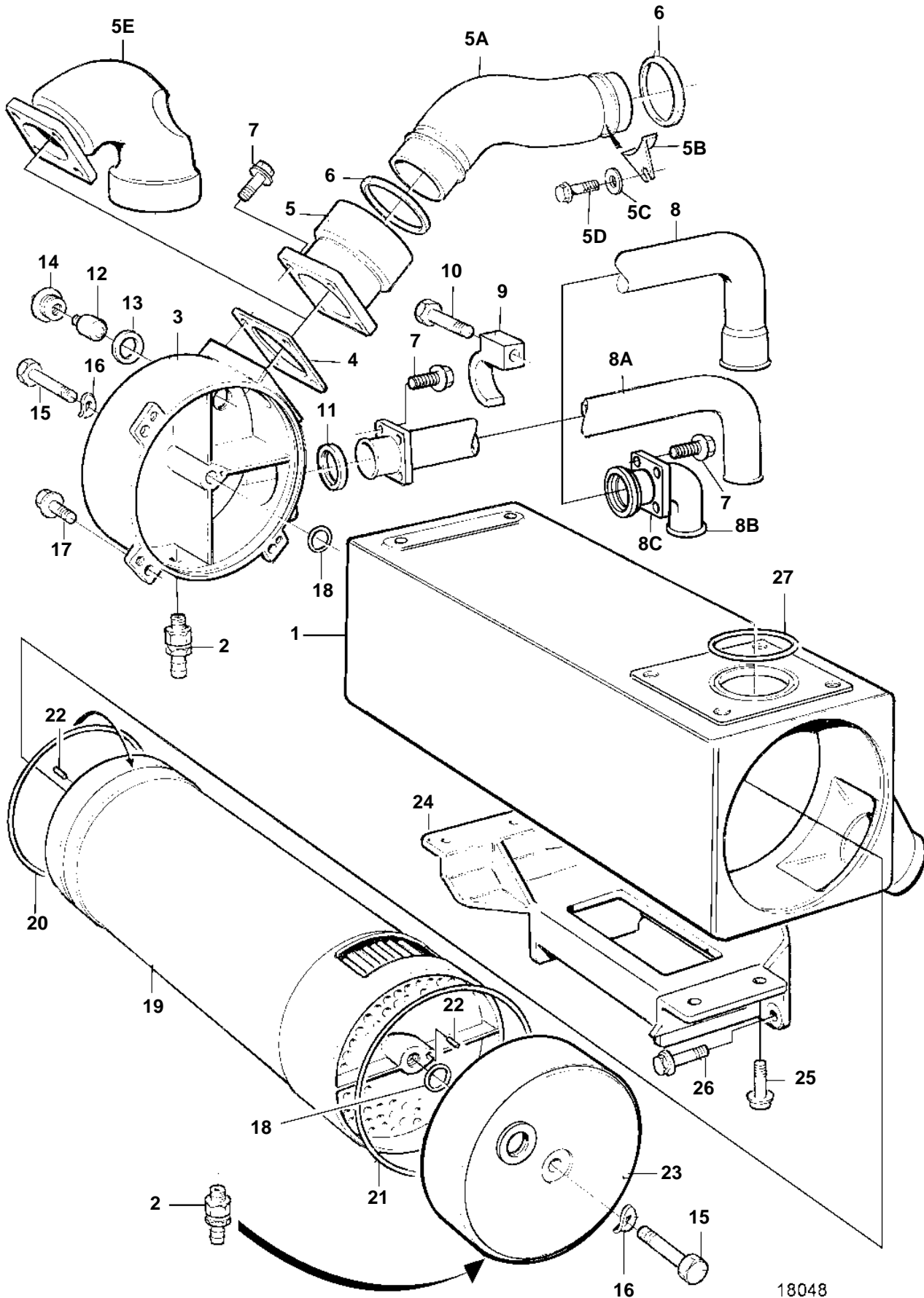


TAMD162A, TAMD162B, TAMD162C, TAMD162C-B



## TAMD162A, TAMD162B, TAMD162C, TAMD162C-B

REF	PART NO.	QTY	DESCRIPTION	SEE SEC.	NOTES
1	862490	1	Housing		
2	949918	2	Drain cock		
3	849031	1	Cover		
4	842137	1	Gasket		
5	864311	1	Retainer		
5A	864382	1	Coolant pipe, intercooler		
5B	864559	1	Clamp		
5C	976944	1	Washer		(966674)
5D	944926	1	Flange screw		
5E		1	Riser, sea water pump	1118	For engine mounted heat exchanger with fresh-water-cooled charge-air-cooler.
6	863209	2	Sealing ring		
7	946173	8	Flange screw		
8	849342	1	Coolant pipe		SN-1101050801/XXXXX. For MG516 replaced by 1pc coolant pipe 866772, 1pc coolant pipe 866773, 4pcs clamp 961673 and 190mm rubber hose 952980.. For MG5114A and IRM350A replaced by 1pc coolant pipe 866772, 1pc coolant pipe 866774, 4pcs clamp 961673 and 190mm rubber hose 952980.
8A	866772	1	Coolant pipe		SN1101050802/XXXXX-
8B	863294	1	Riser		AUX
8C	842867	1	Flange		AUX
9	849401	2	Clamp, induction manifold		
10	965178	2	Flange screw		
11	843584	1	Sealing ring		
12	823661	2	Zinc anod		
13	836169	2	Gasket		
14	823662	2	Plug		
15	955373	2	Screw		
16	941912	2	Spring washer		
17	946472	3	Screw		
18	955977	2	Rubber ring		
19	3825961	1	Heat exchanger eleme		(849884)
20	925276	1	O-ring, heat exchanger insert		
21	925278	3	O-ring		
22	950529	2	Pin		
23	849032	1	Cover		
24	849053	1	Bracket		
25	946472	4	Screw		
26	965190	4	Screw		
27	925079	1	O-ring		