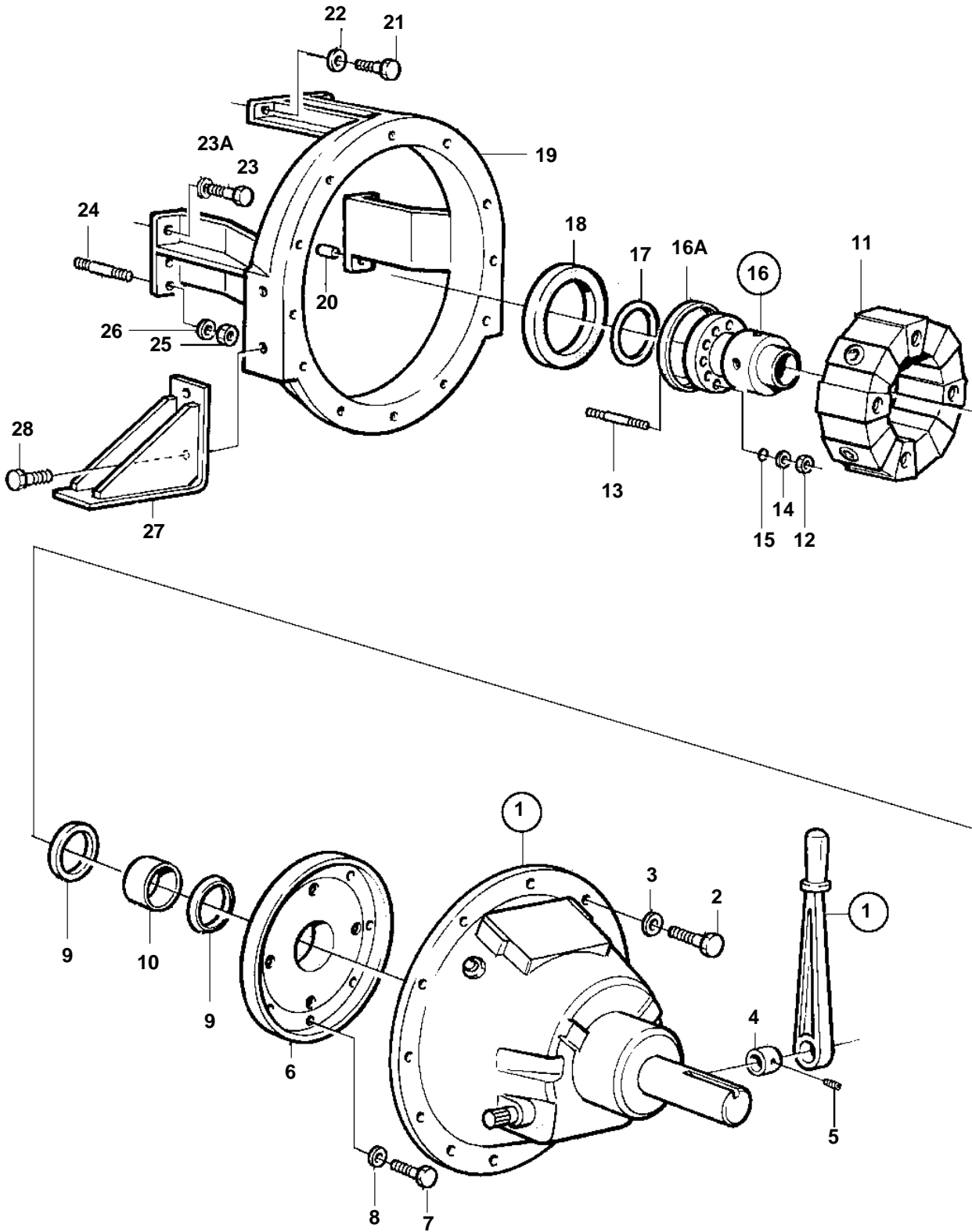


TAMD162A, TAMD162C, TAMD162C-B



16247

## TAMD162A, TAMD162C, TAMD162C-B

REF	PART NO.	QTY	DESCRIPTION	SEE SEC.	NOTES
1	845705	1	Clutch, straight stub shaft		SP 211 HP3
				2446	
	849222	1	Clutch, hydraulic pump		C 111-PM3 , SAE-C
	849223	1	Clutch, hydraulic pump		SL 211-PM3, SAE-D
2	940115	12	Screw		
3	942336	12	Spring washer		
4	803612	2	Stop ring		
5	946847	4	Screw		
6	863207	1	Companion flange		
7	955539	8	Screw		
8	942336	8	Spring washer		
9	965872	2	Sealing ring		
10	863602	1	Bearing bushing		
11	863206	1	Elastic clutch		
12		12	Nut		
13	863203	12	Stud		
14	4956010	12	Washer		
15	955974	12	O-ring		
16	863204	1	Shaft		
16A	3829683	1	· Wear ring		
17	945512	1	O-ring, hub-crankshaft		
18	3825169	1	Sealing ring, timing gear cover		
19	848993	1	Bell housing		
20	191171	2	Pin		
21	970973	2	Screw		
22	940280	2	Spring washer		
23	970995	1	Screw		
23A	941908	1	Spring washer		
24	968684	5	Stud		
25	971073	5	Nut		
26	941911	5	Spring washer		
27	849098	2	Bracket		
28	946329	4	Flange screw		(973083)