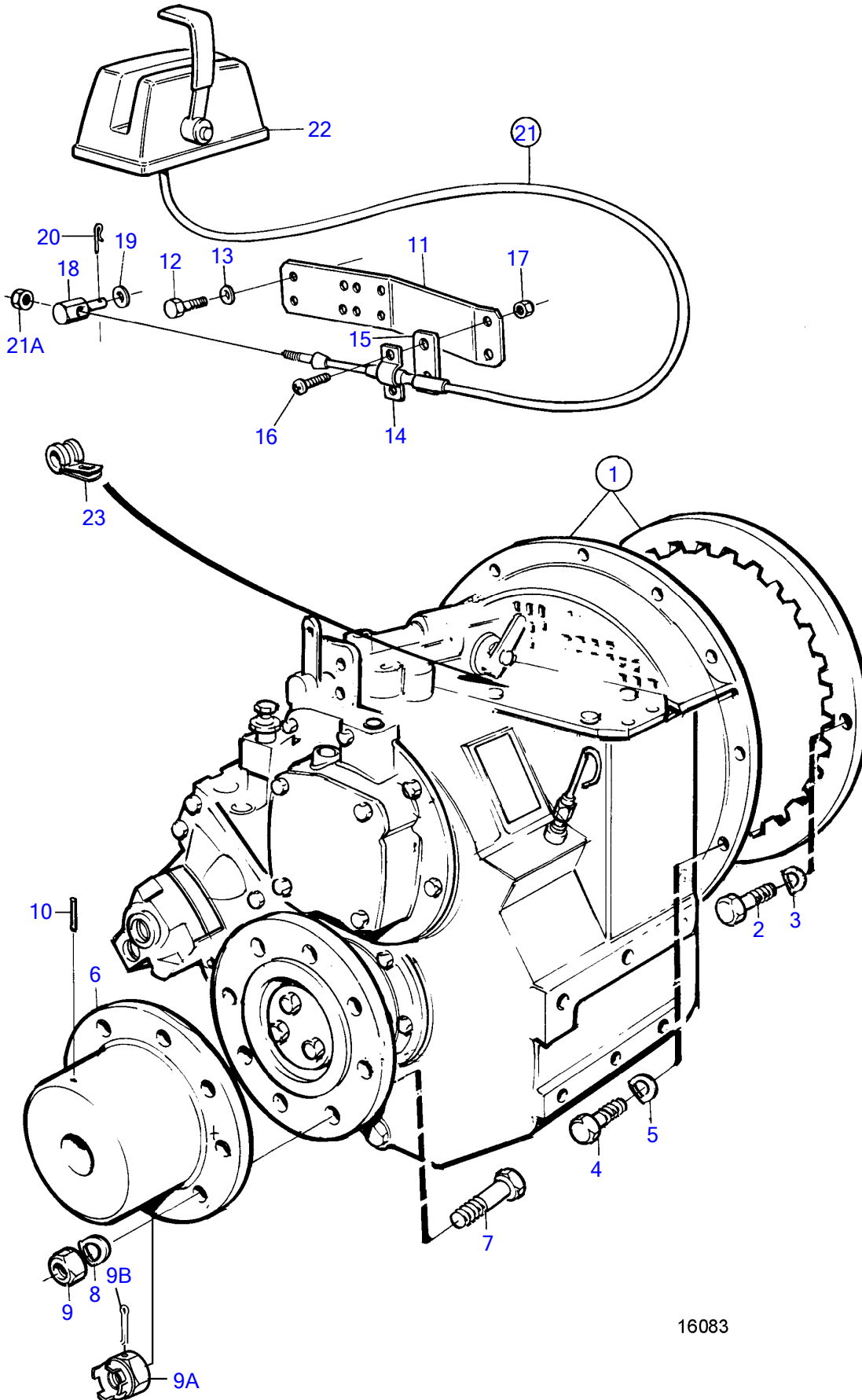


TAMD122A, TMD122A



16083

TAMD122A, TMD122A

REF	PART NO.	QTY	DESCRIPTION	NOTES
1		1	Reversing gear	Ratio 3.28:1
		1	Reversing gear	Ratio 3.92:1
		1	Reversing gear	Ratio 4.44:1
		1	Reversing gear	Ratio 4.95:1
			• parts not sold separately	
2	955562	8	Hexagon screw, l=38mm	SN-1101050532/XXXXXX
	955560	8	Hexagon screw, l=25mm	SN1101050533/XXXXXX-
3	940280	8	Spring washer	
4	940160	12	Hexagon screw	
5	941909	12	Spring washer	
6	837093	1	Clutch flange	
7	(955773)	8	Hexagon screw	L=76mm, for 955889, Obsolete part
	955774	8	Hexagon screw	L=83mm, for 950381
8	941917	8	Spring washer	
9	950381	8	Lock nut	
9A	(955889)	8	Castle nut	Obsolete part
9B	907881	8	Split pin	
10	(907661)	2	Taper pin	Obsolete part
11	863123	1	Bracket	
12	955524	2	Hexagon screw	
13	941907	2	Spring washer	
14	21471054	1	Bracket	For control cable type 333.
	6853782	1	Cable clamp	For control cable type 443.
15	819068	1	Washer	
16	956079	2	Cross recessed screw	
17	963104	2	Lock nut	
18	853217	1	Cube	
19	940191	1	Washer	
20	907824	1	Split pin	
21		X		See group 27
21A		1	• Nut	
22		X	• Control	See group 27
23	949746	1	Clamp	For cable, oil pressure sensor., (946834)