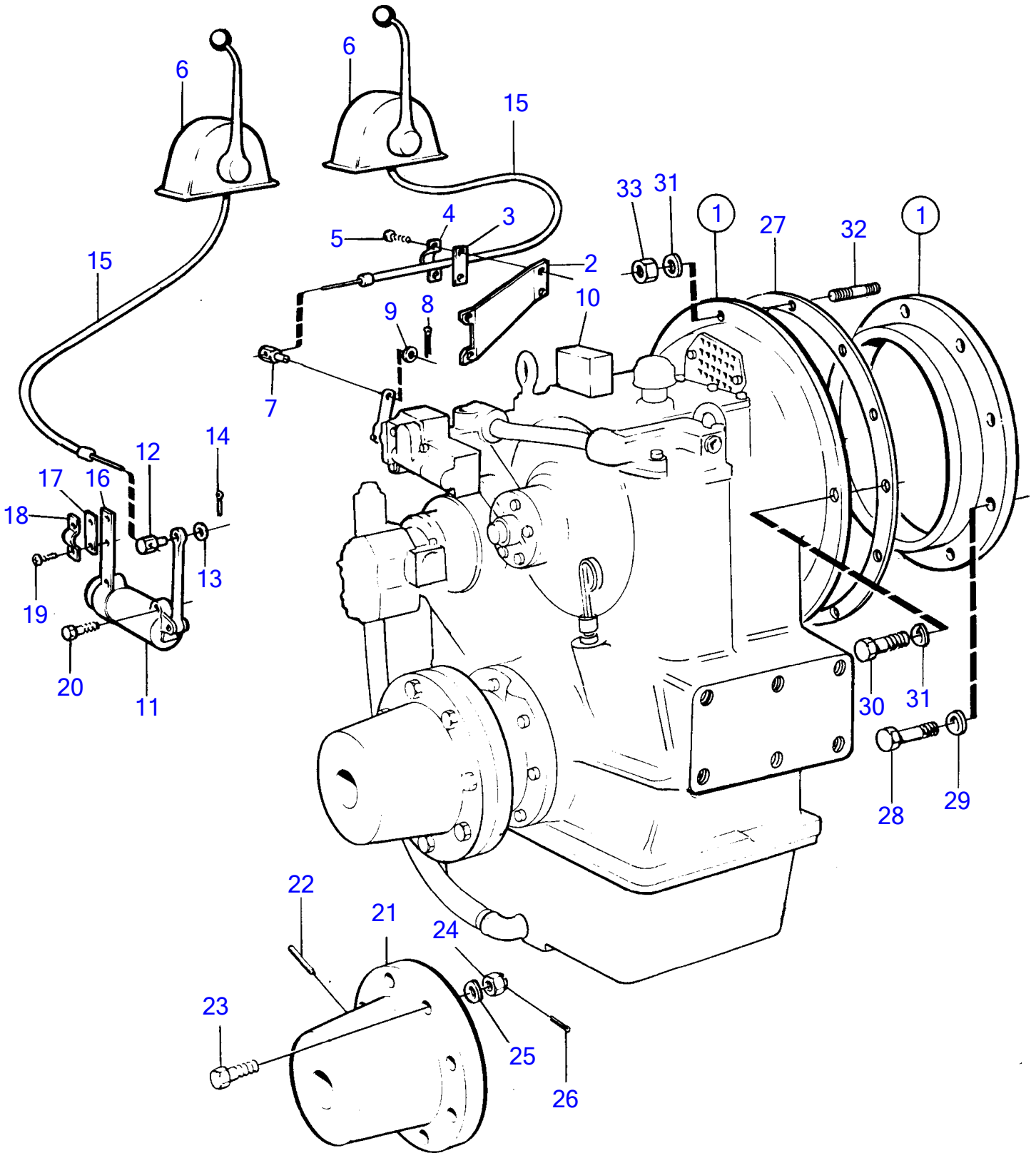


TAMD122A, TMD122A



16076

TAMD122A, TMD122A

REF	PART NO.	QTY	DESCRIPTION	SEE SEC.	NOTES
1		1	Reversing gear		Ratio 1.51:1,2.00:1 3.00:1, 3.50:1, 4.13:1 4.50:1, 5.16:1, 6.00:1
			parts not sold separately		
2	(836117)	1	Bracket		Obsolete part
3	819068	1	Washer		
4	21471054	1	Bracket		For control cable 333, 33C.
	6853782	1	Cable clamp		For control cable 443, 43C.
5	950021	2	Cross recessed screw		
6		X	• Control		See group 27
7	853217	1	Cube		
8	907824	1	Split pin		
9	940191	1	Washer		
10			Oil pressure sensor	2331	
11	(846862)	1	Slip valve		Obsolete part
12	853217	1	Cube		
13	940191	1	Washer		
14	17276	1	Split pin		
15		X	Control cable		See group 27
16	(846170)	1	Bracket		Obsolete part
17	819068	1	Washer		
18	21471054	1	Bracket		
	6853782	1	Cable clamp		
19	950021	2	Cross recessed screw		
20	955528	2	Hexagon screw		
21	837093	1	Clutch flange		
22	(907661)	2	Taper pin		Obsolete part
23	(955773)	8	Hexagon screw		L=76mm, for 955889, Obsolete part
	955774	8	Hexagon screw		L=83mm, for 950381
24	(955889)	8	Castle nut		Early type, Obsolete part
	950381	8	Lock nut		Late type
25	941917	8	Spring washer		Late type
26	907881	8	Split pin		Early type
27	862661	1	Gasket		
28	955561	8	Hexagon screw		SN-1101050532/XXXXXX
	955560	8	Hexagon screw		SN1101050533/XXXXXX-
29	940280	8	Spring washer		
30	940134	10	Hexagon screw		
31	941909	12	Spring washer		
32	(953290)	2	Stud		Obsolete part
33	940157	2	Hexagon nut		