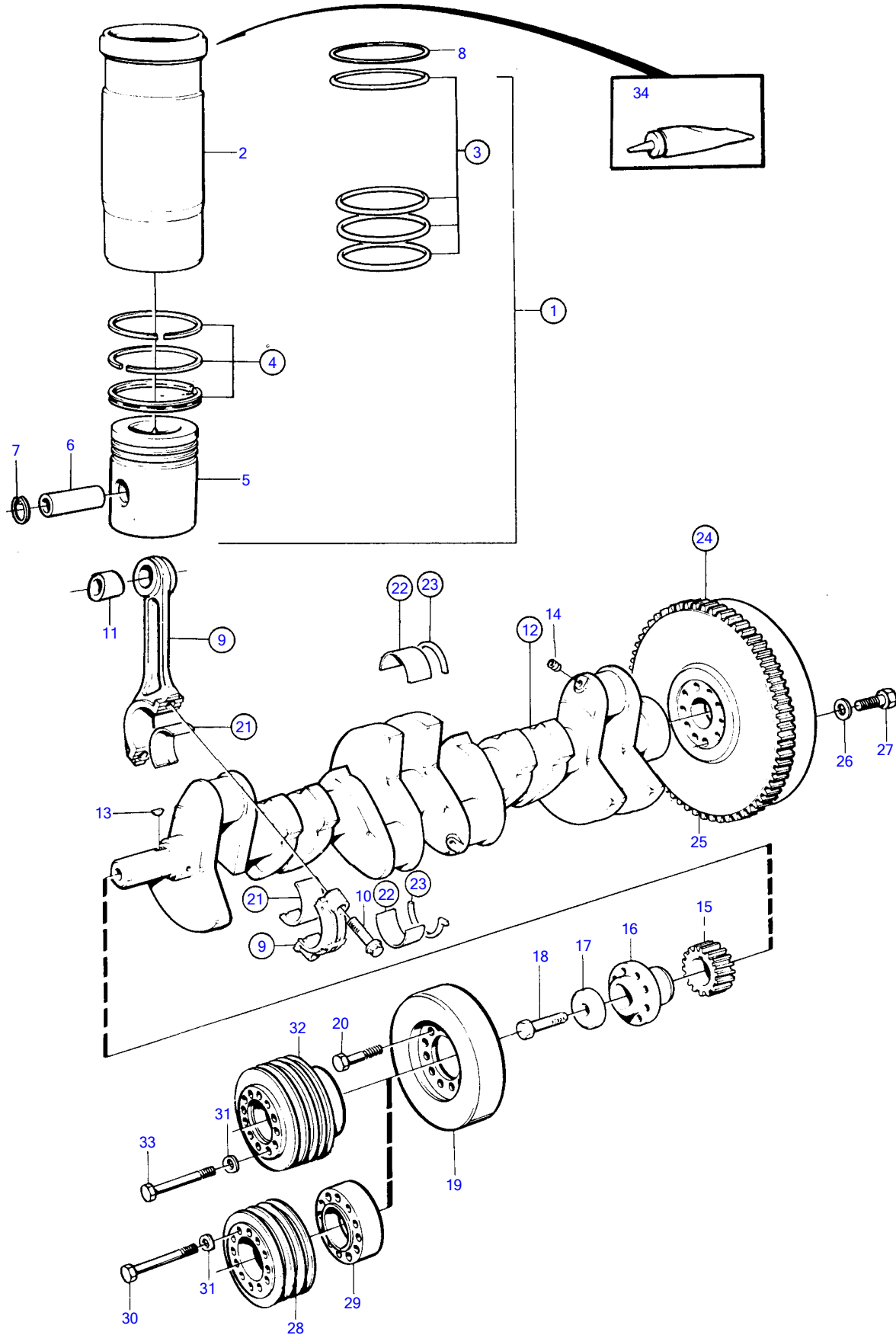


TAMD122P-A



## TAMD122P-A

REF	PART NO.	QTY	DESCRIPTION	SEE SEC.	NOTES
1	3826439	6	Cylinder liner kit		(876800)
2		6	• Cylinder liner		
3	270950	6	• Sealing kit		
4	876799	6	• Piston ring kit		
5		6	• Piston		
6	3155115	6	• Piston pin		(1677049)
7	914530	12	• Snap ring		
8	468271	X	Adjusting washer		TH=0,20mm
	468272	X	Adjusting washer		TH=0,30mm
	468273	X	Adjusting washer		TH=1,00mm
9	478437	6	Connecting rod		
10	1545479	12	• Flange screw		
11	20381185	6	• Bushing		
12	3830814	1	Crankshaft		Classified (865032)
13	422253	1	• Woodruff key		
14	978130	6	• Plug		
15	423080	1	• Gear		
			• Bulletin 45-01	45-01-EN	Timing Gears, 71, 100, 121
16	470595	1	Hub		
17	422124	1	Washer		
18	941494	1	Hexagon screw		
19	849622	1	Vibration damper		
20	956601	12	Hex. socket screw		
21	270130	6	Big-end bearing kit		Std D
	270131	6	Big-end bearing kit		U.S=0,25mm
	270132	6	Big-end bearing kit		U.S=0,50mm
	(270133)	6	Big-end bearing kit		Obsolete part, U.S=0,75mm
	270134	6	Big-end bearing kit		U.S=1,00mm
	270135	6	Big-end bearing kit		U.S=1,25mm
22	270449	7	Main bearing kit		Std D
	270450	7	Main bearing kit		U.S=0,25mm
	270451	7	Main bearing kit		U.S=0,50mm
	(270452)	7	Main bearing kit		Obsolete part, U.S=0,75mm
	270453	7	Main bearing kit		U.S=1,00mm
23	3093651	1	Thrust washer kit		Std D
	3093652	1	Thrust washer kit		O.S=0,10mm
	3093653	1	Thrust washer kit		O.S=0,20mm
24	864997	1	Flywheel		
25	420794	1	• Ring gear		
26	467773	14	Washer		
27	478717	14	Hexagon screw		
28	823082	1	Pulley		3-grooves, 158mm
29	823083	1	Spacer ring		
30	959804	12	Hexagon screw		
31	941909	12	Spring washer		
32	837476	1	Pulley		4-grooves, 182mm
33	959188	12	Hex. socket screw		
34	1161231	X	Sealant		304ml
	1161277	X	Sealant		10g