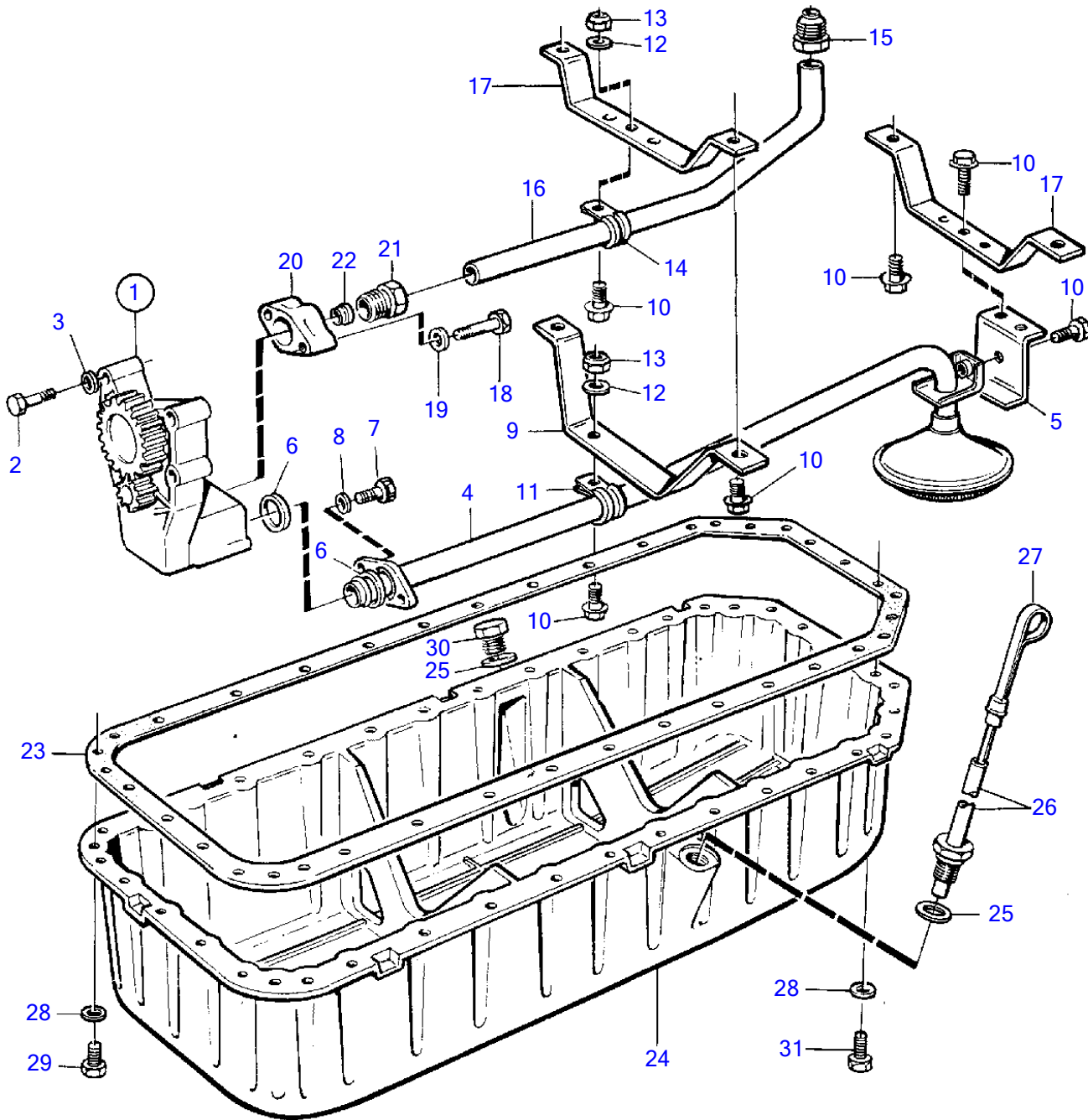


TAMD122A, TMD122A, TAMD122P-A, TAMD122P-B



15811

TAMD122A, TMD122A, TAMD122P-A, TAMD122P-B

REF	PART NO.	QTY	DESCRIPTION	SEE SEC.	NOTES
1	478649	1	Oil pump		
			.	752	
			.		
2	955538	4	Hexagon screw		
3	942336	4	Spring washer		
4	864216	1	Suction pipe		
5	864133	1	Bracket		
6	470383	2	Sealing ring		
7	955533	2	Hexagon screw		
8	941907	2	Spring washer		
9	470893	1	Bracket		
10	942402	9	Flange screw		
11	1545431	1	Attaching clamp		I.D=26mm
12	941907	4	Spring washer		
13	955826	4	Hexagon nut		
14	1545432	1	Attaching clamp		I.D=20mm
15	466908	1	Fitting		
16	470375	1	Oil pressure pipe		
17	470918	2	Bracket		
18	959794	2	Hexagon screw		
19	941907	2	Spring washer		
20	470376	1	Spacer		
21	470377	1	Fitting		
22	956973	1	Ferrule		
23	478505	1	Gasket		
24	864149	1	Crankcase		
25	957187	2	Gasket		
26	848983	1	Tube		
27	848984	1	Oil dipstick		
28	941907	43	Spring washer		
29	955525	39	Hexagon screw		25mm
30	949175	1	Magnetic plug		
31	940159	4	Hexagon screw		For mounting of oil sump to flywheel housing., 32mm