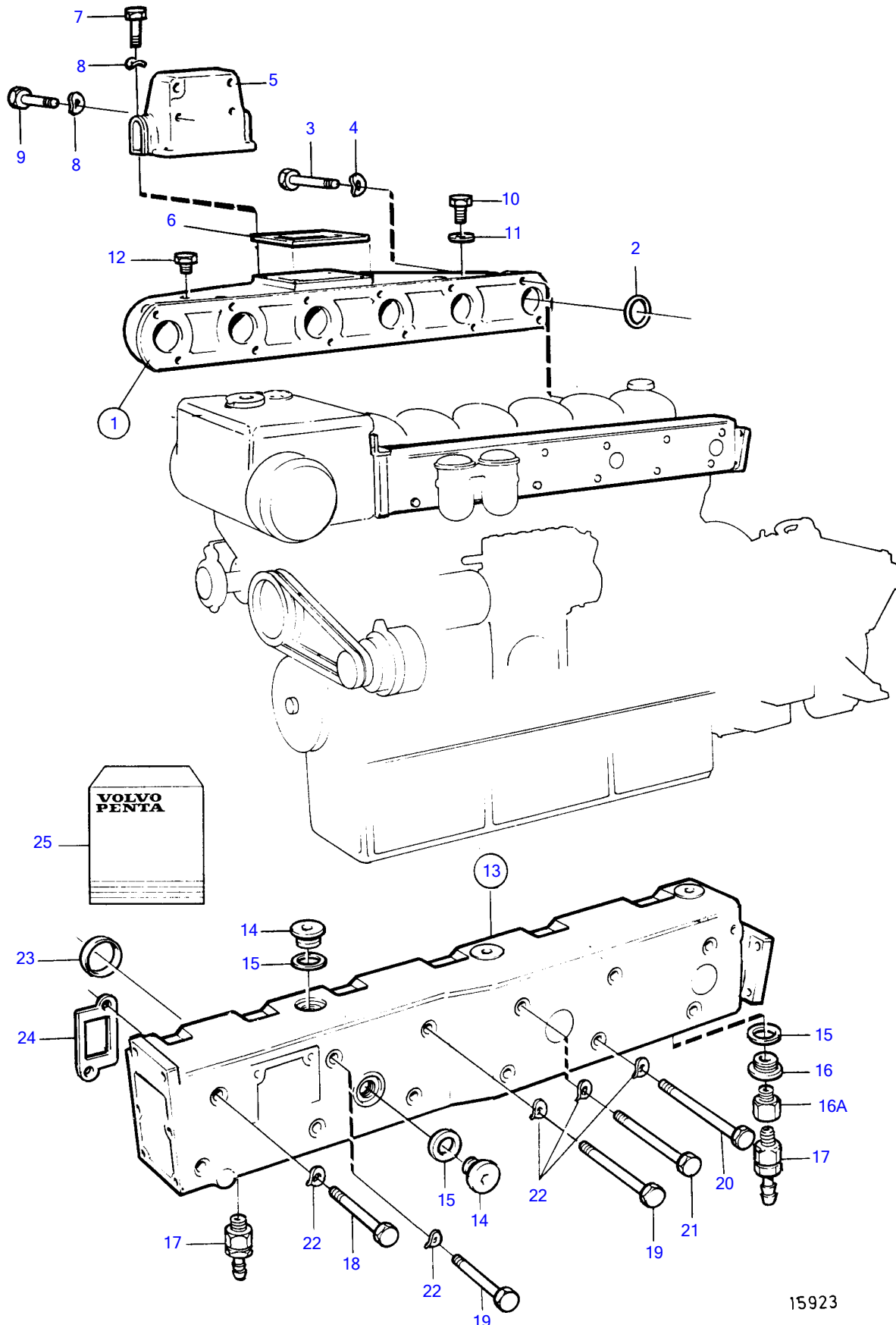


TAMD122A



15923

TAMD122A

REF	PART NO.	QTY	DESCRIPTION	NOTES
1	468988	1	Inlet pipe	
2	469830	6	O-ring	
3	955530	4	Hexagon screw	L=83mm
	955533	4	Hexagon screw	L=102mm
	940161	1	Hexagon screw	L=45mm
	940136	1	Hexagon screw	L=64mm
	945749	2	Hexagon screw	For aftercooler., L=190mm
4	941907	12	Spring washer	
	976944	2	Washer	For screw 945749
5	845594	1	Housing	
6	424616	1	Gasket	
7	956570	4	Hex. socket screw	
8	941907	6	Spring washer	
9	955531	2	Hexagon screw	
10	942624	1	Flange screw	
11	947620	1	Gasket	
12	479979	1	Plug	Without smoke eliminator.
13	836841	1	Exhaust pipe	Replaced by 3825359
	3825359	1	Exhaust manifold	
14	467367	12	• Plug	
15	469328	12	• Gasket	
16	821335	1	• Plug	For 3825359
16A	479954	1	Nipple	
17	949918	2	Shut-off cock	
18	959797	4	Hexagon screw	L=140mm
19	941251	2	Hexagon screw	L=159mm
	959800	1	Hexagon screw	When jacketed fuel pipes are installed., L=178mm
20	941252	5	Hexagon screw	L=171mm
21	102040	1	Hexagon screw	L=190mm
22	942336	12	Spring washer	
23	822575	6	Sealing ring	
24	470534	6	Gasket	
25	876346	1	Intake gasket kit	For induction manifold.
	876410	1	Gasket kit	For exhaust manifold.