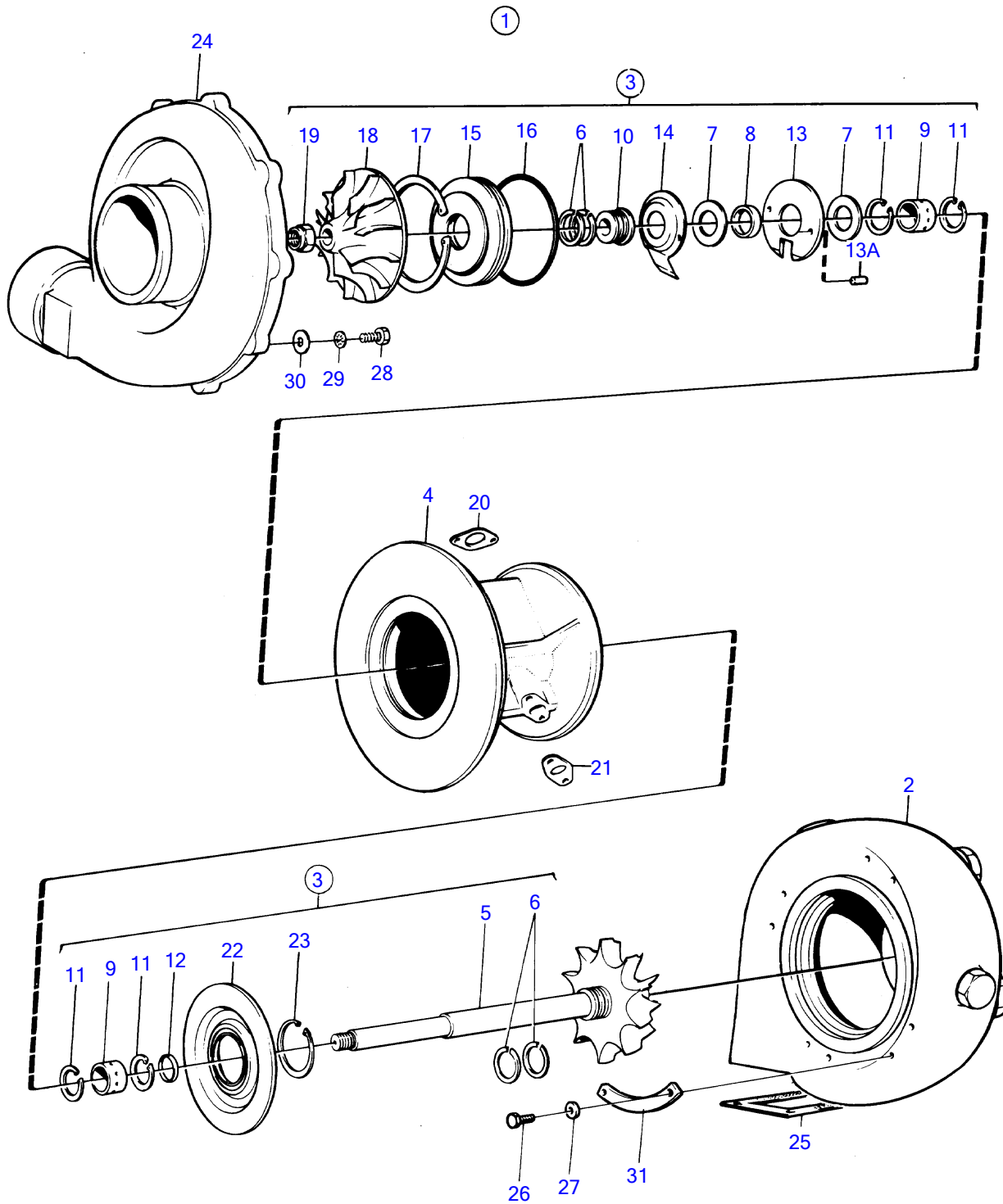


TAMD122A, TMD122A



10088

TAMD122A, TMD122A

| REF | PART NO. | QTY | DESCRIPTION | NOTES |
|-----|-----------|-----|----------------------|---------------|
| 1 | 3802018 | 1 | Turbocharger | (846241) |
| 2 | | 1 | • Turbine housing | |
| 3 | (849799) | 1 | • Rotor | Obsolete part |
| 4 | | 1 | • • Bearing housing | |
| 5 | (849800) | 1 | • • Turbine rotor | Obsolete part |
| 6 | (411794) | 2 | • • Piston ring | Obsolete part |
| 7 | (467026) | 2 | • • Thrust ring | Obsolete part |
| 8 | (422660) | 1 | • • Spacer sleeve | Obsolete part |
| 9 | (467023) | 2 | • • Bearing | Obsolete part |
| 10 | (467556) | 1 | • • Ring retainer | Obsolete part |
| 11 | (417727) | 4 | • • Lock ring | Obsolete part |
| 12 | (843423) | 1 | • • Sleeve | Obsolete part |
| 13 | (467027) | 1 | • • Bearing | Obsolete part |
| 13A | (842065) | 2 | • • Locating pin | Obsolete part |
| 14 | (422662) | 1 | • • Splash plate | Obsolete part |
| 15 | (467557) | 1 | • • Insert | Obsolete part |
| 16 | (465027) | 1 | • • O-ring | Obsolete part |
| 17 | (420467) | 1 | • • Lock ring | Obsolete part |
| 18 | (847633) | 1 | • • Compressor wheel | Obsolete part |
| 19 | (1518784) | 1 | • • Nut | Obsolete part |
| 20 | 420641 | 1 | • • Gasket | |
| 21 | 1543360 | 1 | • • Gasket | |
| 22 | | 1 | • • End plate | |
| 23 | (422360) | 1 | • • Lock ring | Obsolete part |
| 24 | | 1 | • Housing | |
| 25 | 470939 | 1 | • Gasket | |
| 26 | 942342 | 8 | • Hexagon screw | |
| 27 | (843422) | 8 | • Washer | Obsolete part |
| 28 | (420470) | 10 | • Screw | Obsolete part |
| 29 | (411809) | 10 | • Spring washer | Obsolete part |
| 30 | (1695715) | 5 | • Washer | Obsolete part |
| 31 | (843421) | 4 | • Striker plate | Obsolete part |
| | 275946 | 1 | Repair kit | |