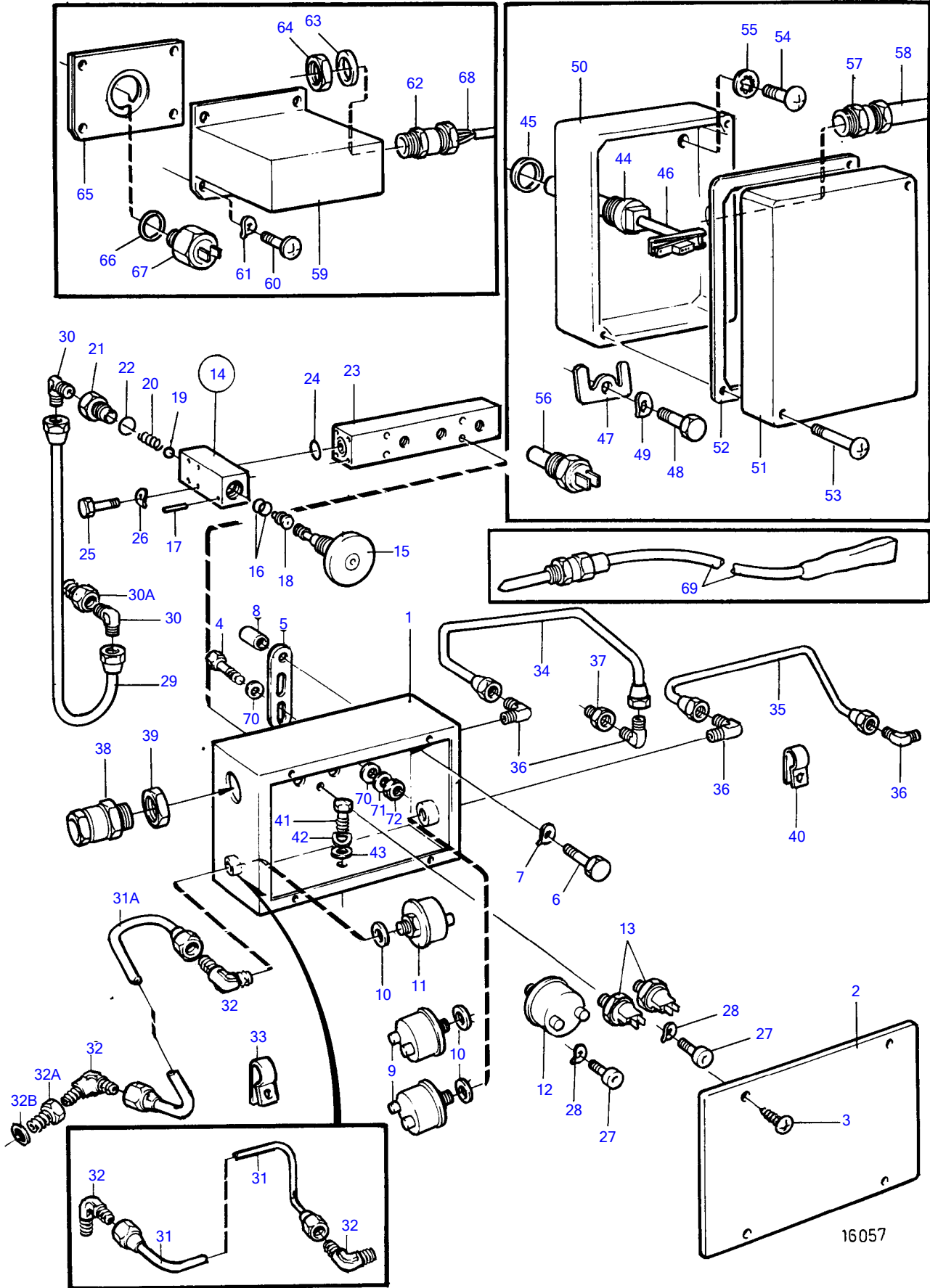


TMD122A



## TMD122A

REF	PART NO.	QTY	DESCRIPTION	SEE SEC.	NOTES
1	(843063)	1	Box		Obsolete part
2	(843064)	1	Cover		Obsolete part
3	(958244)	4	Cross recessed screw		Obsolete part
4	940100	1	Hexagon screw		
5	965537	1	Bracket		
6	959795	1	Hexagon screw		
7	941907	1	Spring washer		
8	823498	1	Spacer sleeve		
9	846311	2	Pressure sensor, coolant water		
10	947624	3	Gasket		
11	866838	1	Pressure sensor, turbo		
12	866833	1	Pressure sensor, oil pressure-engine		
13	873526	2	Switch, oil pressure-engine		
14	837928	1	Valve		
15		1	• Flange		
16	925052	2	• O-ring		
17	951938	1	• Spring pin		
18	(837932)	1	• Intermediate section		Obsolete part
19	(70472)	1	• Ball		Obsolete part
20	(832441)	1	• Spring		Obsolete part
21		1	• Fitting		
22	955985	1	• O-ring		
23	(837938)	1	• Spacer		Obsolete part
24	955984	1	O-ring		
25	(959181)	4	Hex. socket screw		Obsolete part
26	941904	4	Spring washer		
27	942001	4	Hex. socket screw		
28	941906	4	Spring washer		
29	(846274)	1	Tube		Oil, engine., Obsolete part
30	954335	2	Nipple		
31	(846275)	1	Tube		Turbo pressure., Obsolete part
32	954335	1	Nipple		
33	940374	1	Clamp		
34	846276	1	Tube		Fresh water.
35	(846277)	1	Tube		Sea water, Obsolete part
36	954343	4	Elbow nipple		
37	836192	1	Nipple		
38	881193	1	Grommet		
39	880755	1	Nut		
40	942400	1	Clamp		
41	940094	2	Hexagon screw		
42	941906	2	Spring washer		
43	955893	2	Washer		
44	836718	1	Sleeve		
45	947626	1	Gasket		
46	837472	1	Thermo monitor		
47	(837396)	1	Lock washer		Obsolete part
48	956076	1	Cross recessed screw		
49	941905	1	Spring washer		
50	837391	1	Housing		
51	837392	1	Cardboard tube		
52	837424	1	Gasket		
53	956301	2	Cross recessed screw		
54	956568	2	Hex. socket screw		
55	941907	2	Spring washer		
56	827150	1	Sensor		
57	822327	1	Grommet		
58		X	Ship's command, classifiable	1963	
59	843102	1	Box		
60	956059	4	Cross recessed screw		
61	941904	4	Spring washer		
62	822327	1	Grommet		
63	957185	1	Gasket		

7746700-30-2303

16057

Upd:2012-02-22

TAMD122A, TMD122A, TAMD122P-A, TAMD122P-B, TAMD122P-C



TMD122A

REF	PART NO.	QTY	DESCRIPTION	SEE SEC.	NOTES
64	880243	1	Nut		
65	843103	1	Attaching plate		
66	949656	1	O-ring		(925059)
67	354671	1	Tachometer sensor		
68		X	Ship's command, classifiable	1963	
69	(842950)	1	Sensor		Exhaust temp., Obsolete part
70	960140	2	Washer		
71	941906	1	Spring washer		
72	955825	1	Hexagon nut		