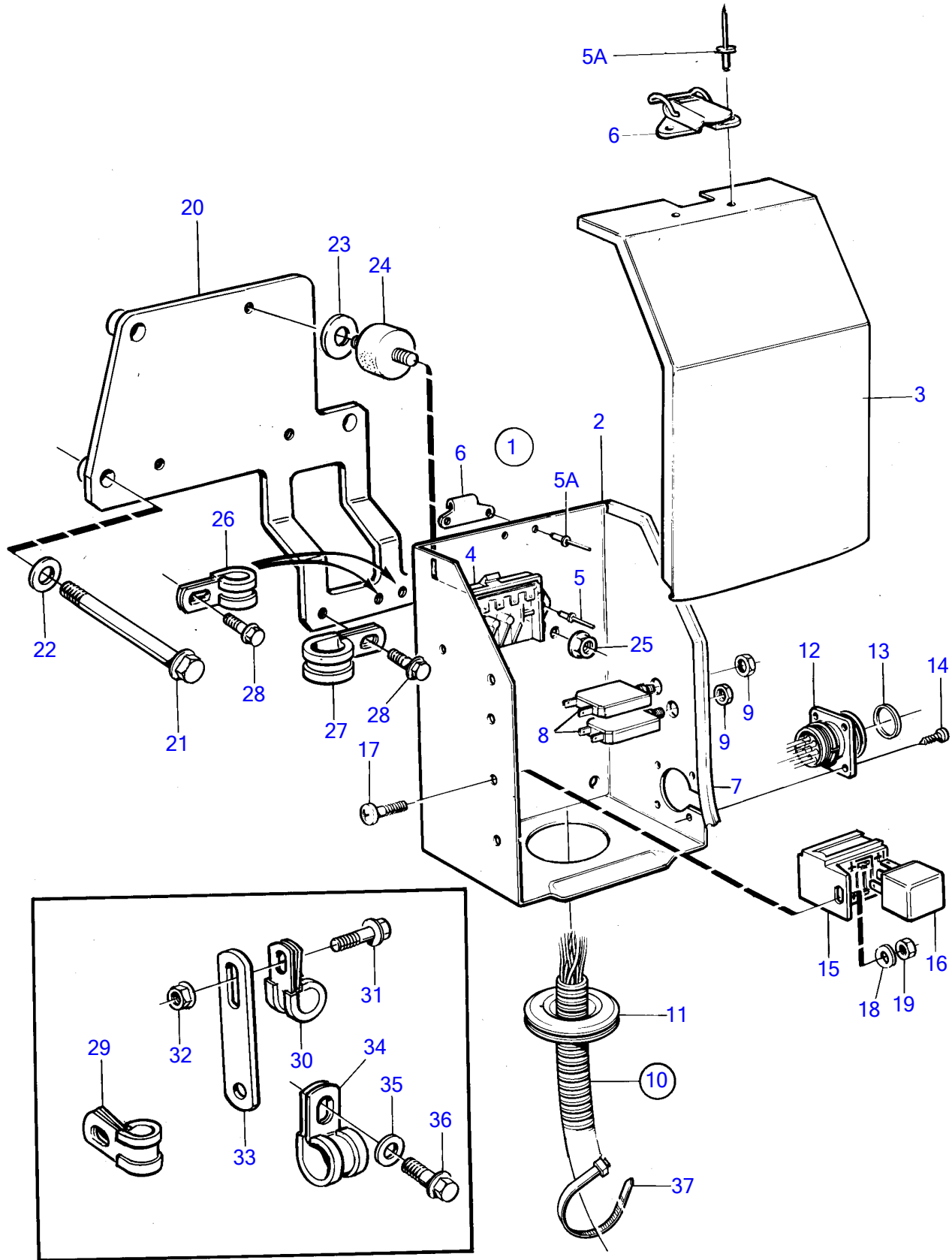


TAMD122P-B, TAMD122P-C



16724

TAMD122P-B, TAMD122P-C

REF	PART NO.	QTY	DESCRIPTION	NOTES
1	(3825254)	1	Electrical distribut	Obsolete part
2		1	• Box	
3	(3825253)	1	• Cardboard tube	Obsolete part
4	(1234048)	1	• Bottom section	Obsolete part
5	942670	2	• Blind rivet	
5A	965592	4	• Blind rivet	
6	3825257	1	• Snap lock	
7	(1214306)	1	• Stop dog	Obsolete part
8	966689	2	Fuse	
9		2	• Nut	
10	(873724)	1	Wiring harness	Obsolete part
	(873987)	1	Wiring harness	TAMD122P-C SN1101056862-, Obsolete part
11	943920	1	• Plug	
12	846611	1	• Housing, instrument panel	
13	846615	1	• Sealing ring	
14	955119	4	Cross recessed screw	
15	977184	3	Housing	
16	3171420	3	Relay	24V (24V (9518230)
17	(956075)	4	Cross recessed screw	Obsolete part
18	941905	4	Spring washer	
19	955780	4	Hexagon nut	
20	(3826206)	1	Bracket	Obsolete part
21	102040	3	Hexagon screw	
22	942336	3	Spring washer	
23	960140	3	Washer	
24	3574797	3	Vibration damper	
25	949278	3	Flange lock nut	M6
26	949746	2	Clamp	
27	952635	1	Clamp	
28	967949	2	Flange screw	M6x12mm
29	949747	1	Clamp	
30	952635	3	Clamp	
31	967949	2	Flange screw	M6x12mm
32	945407	2	Flange nut	M6
33	843711	1	Bracket	On the timing gear casing.
34	947827	4	Clamp	
35	942336	2	Spring washer	
36	940133	2	Hexagon screw	3/8UNCx16
37	948211	9	Cable tie	