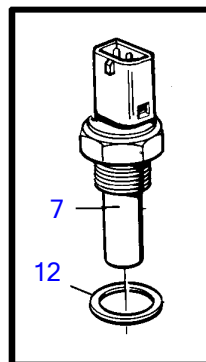
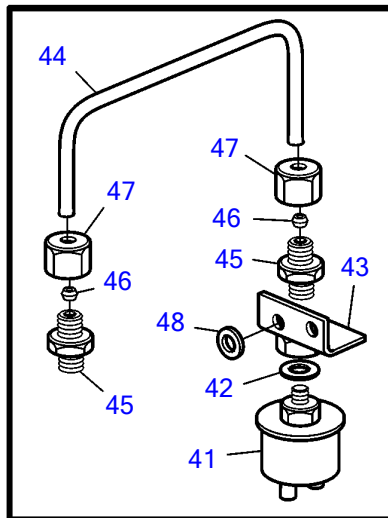
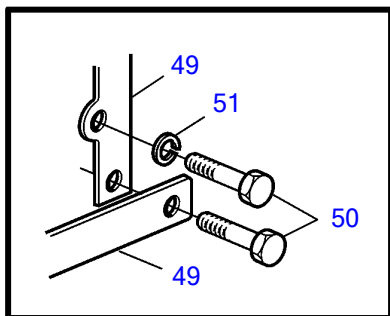
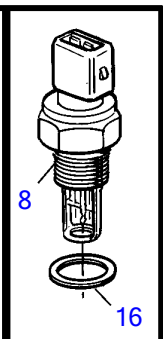
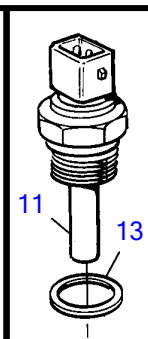
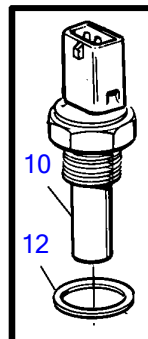
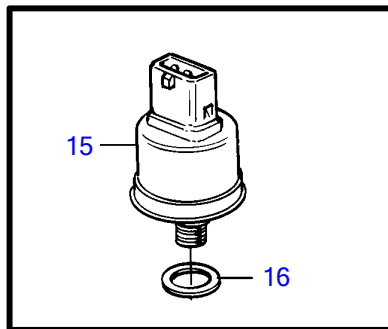
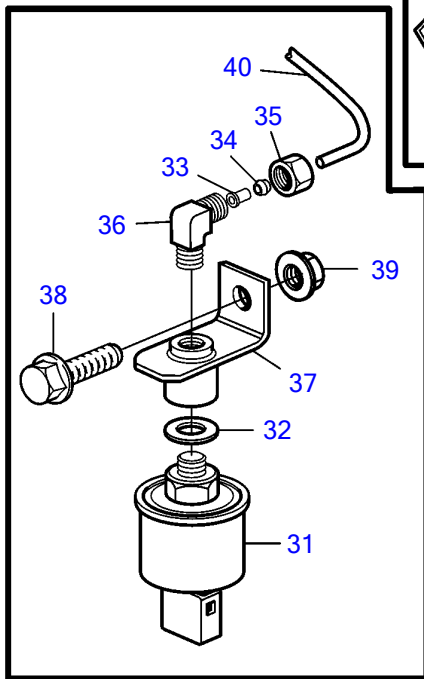
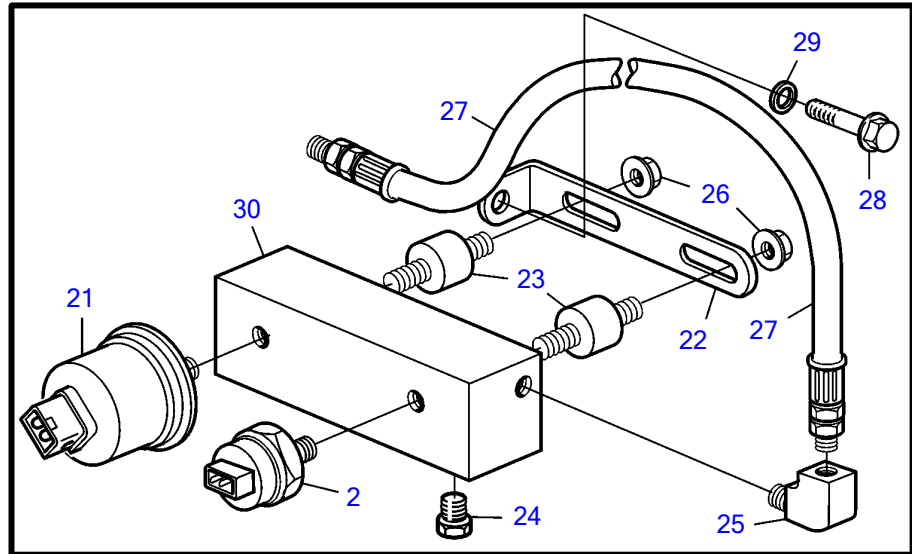
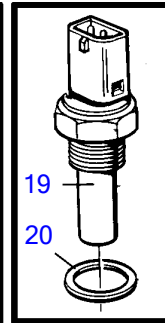
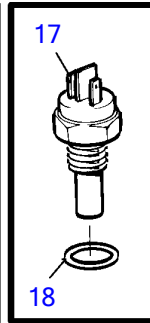
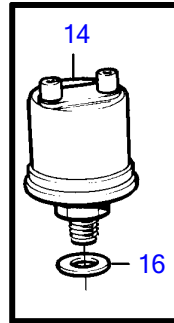
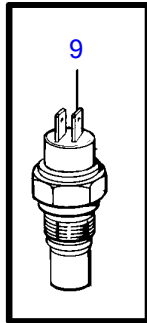
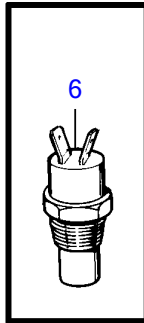
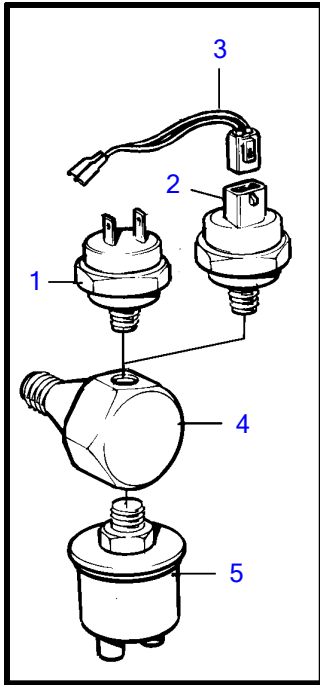


TAMD122P-A, TAMD122P-B, TAMD122P-C



19604

TAMD122P-A, TAMD122P-B, TAMD122P-C

REF	PART NO.	QTY	DESCRIPTION	SEE SEC.	NOTES
2	863169	1	Pressure monitor, oil pressure-engine		SN1101051157/XXXXXX-
6	822858	1	Thermo monitor, coolant water temp.		97°C
7	862250	1	Thermo monitor, coolant water temp.		97°C
8	8141474	1	Temperature sensor, air inlet		EDC
9	827150	1	Sensor, coolant water temp.		
	837044	1	Temperature sensor, coolant water temp.		For double instruments.
10	1624368	1	Sensor		EDC
11	862154	1	Temperature sensor, instrument		
12	11998	1	Gasket		
13	947622	1	Gasket		
15	866839	1	Sensor, reverse gear		0-30 bar
16	947624	1	Gasket		
19	3013297	1	Tachometer sensor		
20	863604	1	Gasket		
21	866835	1	Sensor, oil-engine		
			Bulletin P-38-6-1	P-38-6-1-EN	Vibration Damping Kit
21	866836	1	Sensor, oil-engine		For double instruments., 0-10 bar
22	965560	1	Bracket		
23	3574797	2	Vibration damper		
24	479979	1	Plug		
25	180110	1	Elbow nipple		
26	949278	2	Flange lock nut		
27	1507501	1	Hose assembly		
28	(955558)	1	Hexagon screw		Obsolete part
29	940280	1	Spring washer		
30	866704	1	Bracket		
31	866837	1	Sensor, turbo		
32	947624	1	Gasket		
33	944717	2	Support sleeve		
34	954364	2	Sleeve		
35	954356	2	Fitting nut		
36	954385	2	Elbow nipple		
37	843698	1	Bracket		
38	967949	1	Flange screw		(965175)
39	949278	1	Flange lock nut		
40	945460	1	Tube		710mm