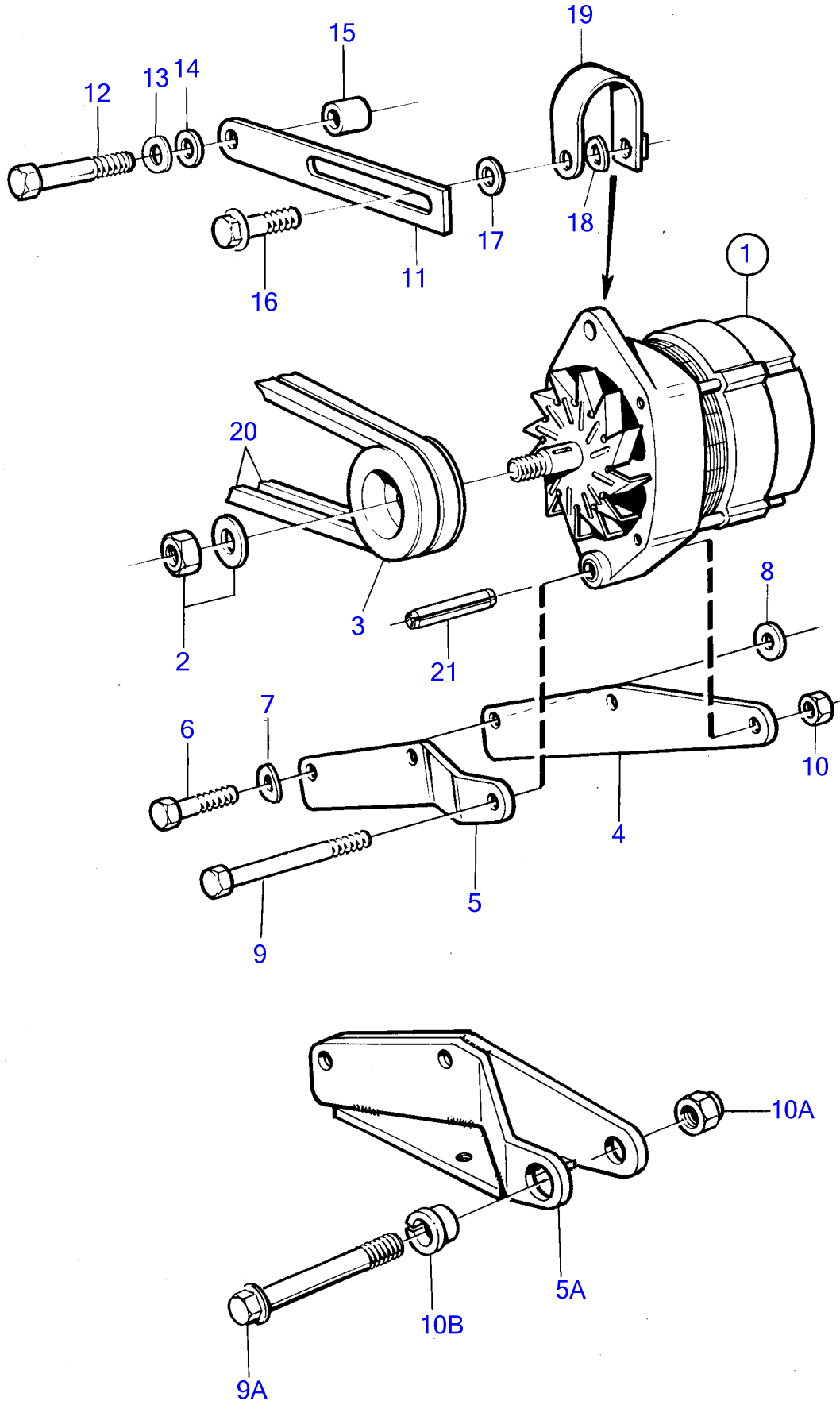


TAMD122A, TAMD122P-A, TAMD122P-B, TAMD122P-C



TAMD122A, TAMD122P-A, TAMD122P-B, TAMD122P-C

REF	PART NO.	QTY	DESCRIPTION	SEE SEC.	NOTES
1	849563	1	Alternator		28V 55A. for 24 voltage electric system., SN-1101019500/XXXXXX
			.	1465	
	863955	1	Alternator		28V 60A. for 24 voltage electric system., SN-1101038358/XXXXXX
			• Bulletin 45-02A	45-02A-EN	Alternator
1			.	1383	
	872021	1	Alternator		28V 60A. for 24 voltage electric system., SN1101038359/XXXXXX-
			.	127	
	873771	1	Alternator		(872021)
	3803443	1	Alternator, exch, exch		(872021)
			.	127	
2		1	• Mounting kit	127	
3	841812	1	Pulley		
4	863915	1	Bracket		Replaced by 3825249, 1 ea 966367, 1 ea 971085., Early type
5	863914	1	Bracket		Replaced by 3825249, 1 ea 966367, 1 ea 971085., Early type
5A	(3825942)	2	Bracket		When later model belt guard is installed. See group 26., Late type, Obsolete part
6	955538	2	Hexagon screw		
7	942336	2	Spring washer		
8	960142	2	Washer		
9	955556	1	Hexagon screw		
9A	966367	1	Flange screw		When later model belt guard is installed. See group 26.
10	950355	1	Lock nut		
10A	971085	1	Lock nut		When later model belt guard is installed. See group 26.
10B	1675685	1	Spacer sleeve		When later model belt guard is installed. See group 26.
11	864721	1	Tensioner		
12	942338	1	Hexagon screw		
13	942336	1	Spring washer		
14	940097	1	Washer		
15	822779	1	Spacer sleeve		
16	948217	1	Flange screw		
17	976944	1	Washer		
18	941907	1	Spring washer		
19	466734	1	Tensioning eyelet		
20	966972	1	V-belt		
21	1610144	1	Spring pin		SN1101038359/XXXXXX-