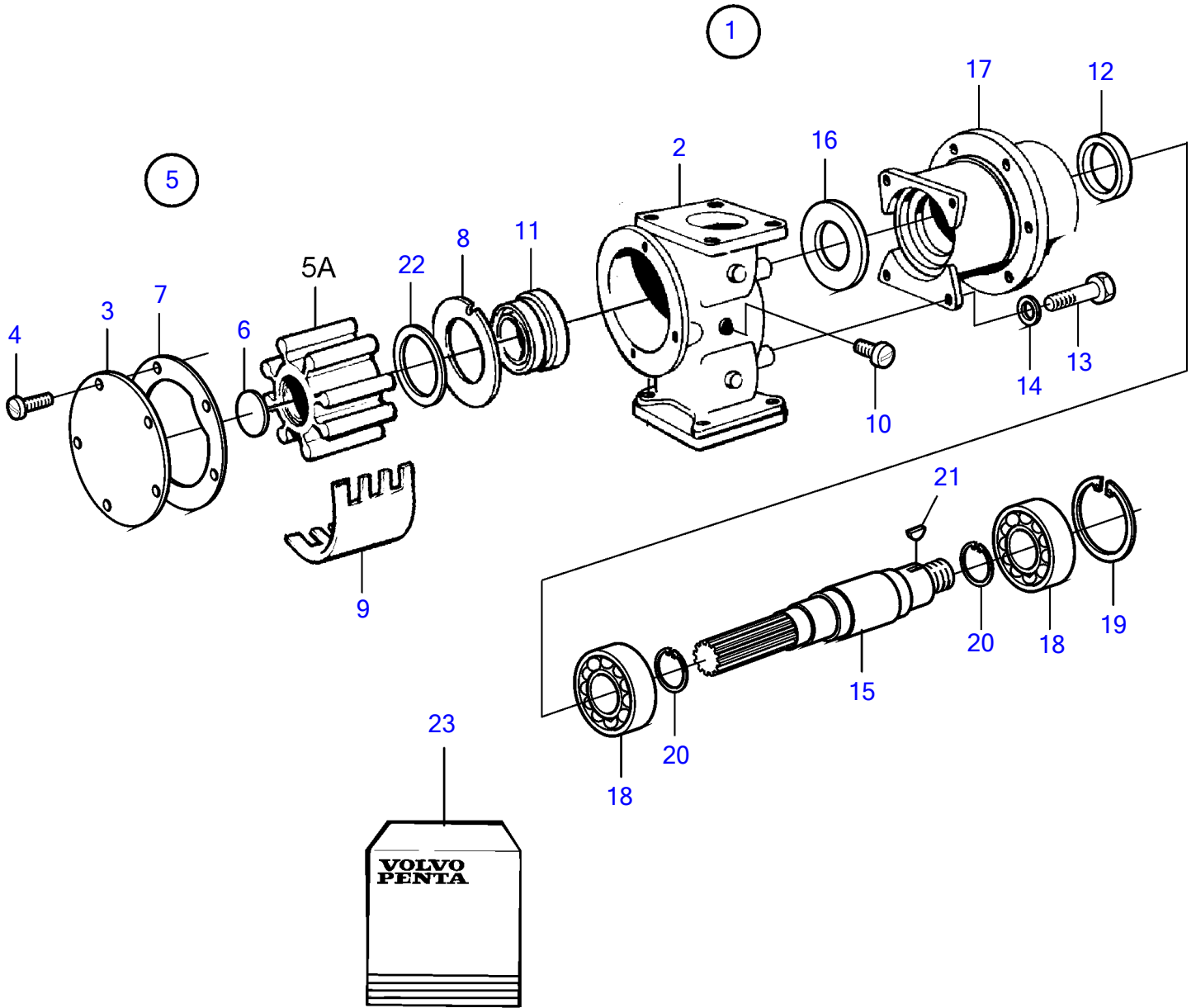


TAMD122A



19540

TAMD122A

REF	PART NO.	QTY	DESCRIPTION	NOTES
1	3829312	1	Sea water pump	(845189)
2	845966	1	• Pump housing	
3	847228	1	• Cover	
4	959931	5	• Hexagon screw	(847229)
5	875814	1	• Impeller kit	
5A		1	• • Impeller	
6	812966	1	• • Spline seal	
7	3829314	1	• • Gasket	
8	826230	1	• Wear washer	
9	845968	1	• Cam	
10	825730	1	• Screw	
11	3829315	1	• Sealing ring	(812968)
12	845795	1	• Sealing ring	
13	940135	4	• Hexagon screw	
14	941907	4	• Spring washer	
15	845970	1	• Shaft	
16	812964	1	• Deflector ring	
17	845969	1	• Bearing housing	
18	11013	2	• Ball bearing	
19	825735	1	• Lock ring	
20	847230	1	• Lock ring	
21	942406	1	• Woodruff key	
22	3829449	1	• Washer	
23	875737	1	Overhaul kit	